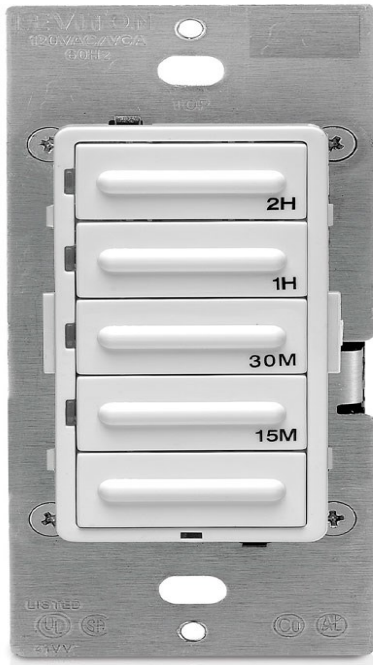


# CGSMANTDIG

## Datasheet

### Digital In-Wall Timer



4.13" (H) x 1.75" (W) x 1.40" (D)

### Product Overview

The CGSMANTDIG offer advanced features, superior accuracy and contemporary aesthetics. Our robust CGSMANTDIG provides convenient timed control of lighting and motor loads in homes, offices, schools, libraries and other small commercial application. An easy upgrade, automatic timers help reduce energy costs, improve security and add convenience. Set electric to turn on and off, or automatic control of heat lamps, pool pumps or exhaust fans. The CGSMANTDIG includes preset countdown timers in popular styles and colors. Fully backed by the Canadian Gas Safety quality and reliability.

### 5-Button Time Switches

#### For heat lamps, pool pumps, attic and exhaust fans

- ✓ Improved 15, 30, or 60 minute timers, 12 and 2 hour options.
- ✓ Four preset buttons and OFF
- ✓ Simple press and hold override timer function
- ✓ Limited Five-Year Warranty

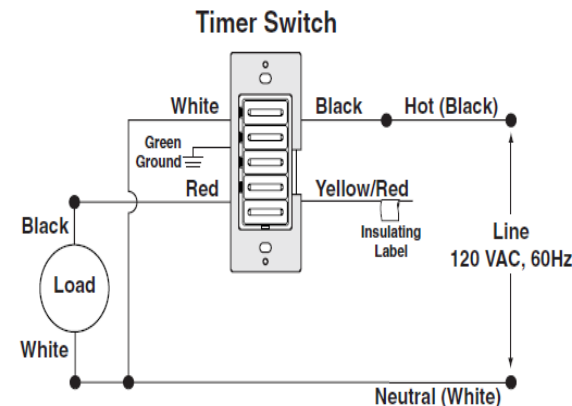
### Specifications

#### 5-Button Timer Switches Spec - Four Preset Buttons and OFF

Single Gang	Double Gang	Triple Gang or More
Resistive: 20A (2400W) Incandescent: 1800W Inductive: 20A, Motor: 1HP	Resistive: 16A (1920W) Incandescent: 1800W Inductive: 16A, Motor 1HP	Resistive: 16A (1920W) Incandescent: 1800W Inductive: 16A, Motor 1HP

Description	Interval	Rating	Color*
2 Hour, Single Pole or 3-Way, Neutral Required	15M-30M-1H-2H	1800W Incandescent, 20A Resistive/Inductive, 1HP @ 120VAC	White

### Timer Switch Wiring



Find out more

**Canadian Gas Safety Inc**  
[www.canadiangassafety.com](http://www.canadiangassafety.com)

Head office: 150 King Street West Suite 200,  
 Toronto, ON M5H 1J9  
 Tel: (647) 577-1500  
 Email: [info@canadiangassafety.com](mailto:info@canadiangassafety.com)

