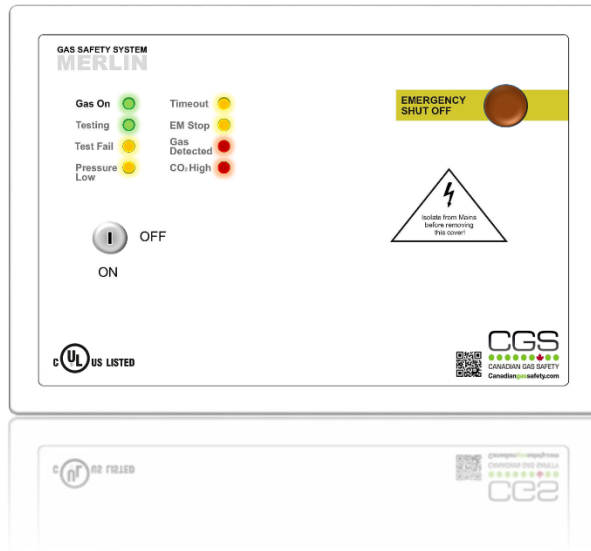




Merlin 1000Si

Gas Isolation Controller



Installation & Operation Manual

Please read this manual carefully and retain for future use.

The Merlin 1000Si system is designed specifically for use in educational establishments and laboratories. The system is designed to give full control over incoming gas supply with the lockable main key-switch.










The information contained within this manual should be referenced for typical installation and operation only. For specific requirements that may deviate from the information in this guide – contact your supplier.

Contents

IMPORTANT WARNING STATEMENTS	3
Installation	4
Planning	4
Fixing - Mounting.....	4
Typical Installation Arrangement.....	5
Terminal Connections	5
Switch Settings	6
General Specification	8
Operation	9
First Power Up.....	9
Emergency Shut Off Button	9
LED Indicators.....	9
Maintenance.....	11
Cleaning.....	11
Bump Test (Gas Response Check)	11

IMPORTANT WARNING STATEMENTS

-  Please take the time to thoroughly read this user's guide which should be retained for future reference.
-  This device requires a continual supply of electrical power – it will not work without power.
-  This device should not be used to substitute proper installation, use and/or maintenance of fuel burning appliances including appropriate ventilation and exhaust systems.
-  This device does not prevent dangerous gasses from occurring or accumulating.
-  Non-continuous (intermittent) operation will not affect performance.
-  Actuation of alarms indicates the presence of a danger.
-  Your product should reach you in perfect condition, if you suspect it is damaged, contact your supplier.

Manufacturer's Warranty

Warranty coverage: The manufacturer warrants to the original consumer purchaser, that this product will be free of defects in material and workmanship for a period of three (3) years from date of purchase.

The manufacturer's liability hereunder is limited to replacement of the product with repaired product at the discretion of the manufacture. This warranty is void if the product has been damaged by accident, unreasonable use, neglect, tampering or other causes not arising from defects in material or workmanship. This warranty extends to the original consumer purchaser of the product only.


Warranty disclaimers: Any implied warranties arising out of this sale, including but not limited to the implied warranties of description, merchantability and intended operational purpose, are limited in duration to the above warranty period. In no event shall the manufacturer be liable for loss of use of this product or for any indirect, special, incidental or consequential damages, or costs, or expenses incurred by the consumer or any other user of this product, whether due to a breach of contract, negligence, strict liability in tort or otherwise. The manufacturer shall have no liability for any personal injury, property damage or any special, incidental, contingent or consequential damage of any kind resulting from gas leakage, fire or explosion. This warranty does not affect your statutory rights.

Warranty Performance: During the above warranty period, your product will be replaced with a comparable product if the defective product is returned together with proof of purchase date. The replacement product will be in warranty for the remainder of the original warranty period or for six months – whichever is the greatest.



Information on waste disposal for consumers of electrical & electronic equipment.

When this product has reached the end of its life, it must be treated as Waste Electrical & Electronics Equipment (WEEE). Any WEEE marked products must not be mixed with general household waste, but kept separate for the treatment, recovery and recycling of the materials used. Please contact your supplier or local authority for details of recycling schemes in your area.

-  *Alternatively, all CGS products can be securely packaged and returned clearly marked for disposal.*

Installation

Planning

The Merlin 1000Si system is designed specifically for use in educational establishments and laboratories.

The Merlin 1000Si is designed to give the teacher full control over the incoming gas supply with the lockable main key-switch.

The Merlin 1000Si can work in conjunction with carbon dioxide, natural gas, carbon monoxide and LPG sensors. The Merlin 1000Si also has a built in "timeout" facility which will automatically shut off the gas solenoid valve at the end of a specific time period, this time period can be adjusted to 2, 4, 8 hours or can be overridden if required.

⚠ Please refer to your detector manual for important information regarding coverage, location and positioning including areas and conditions to avoid.

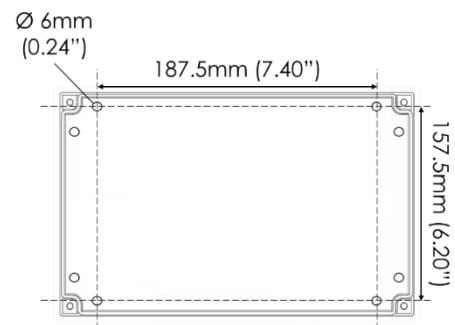
Fixing - Mounting

Place the panel 48-60 inches above finished floor level.

Unpack all the parts!

Designed for surface mounting, it must be installed by a licensed, insured contractor.

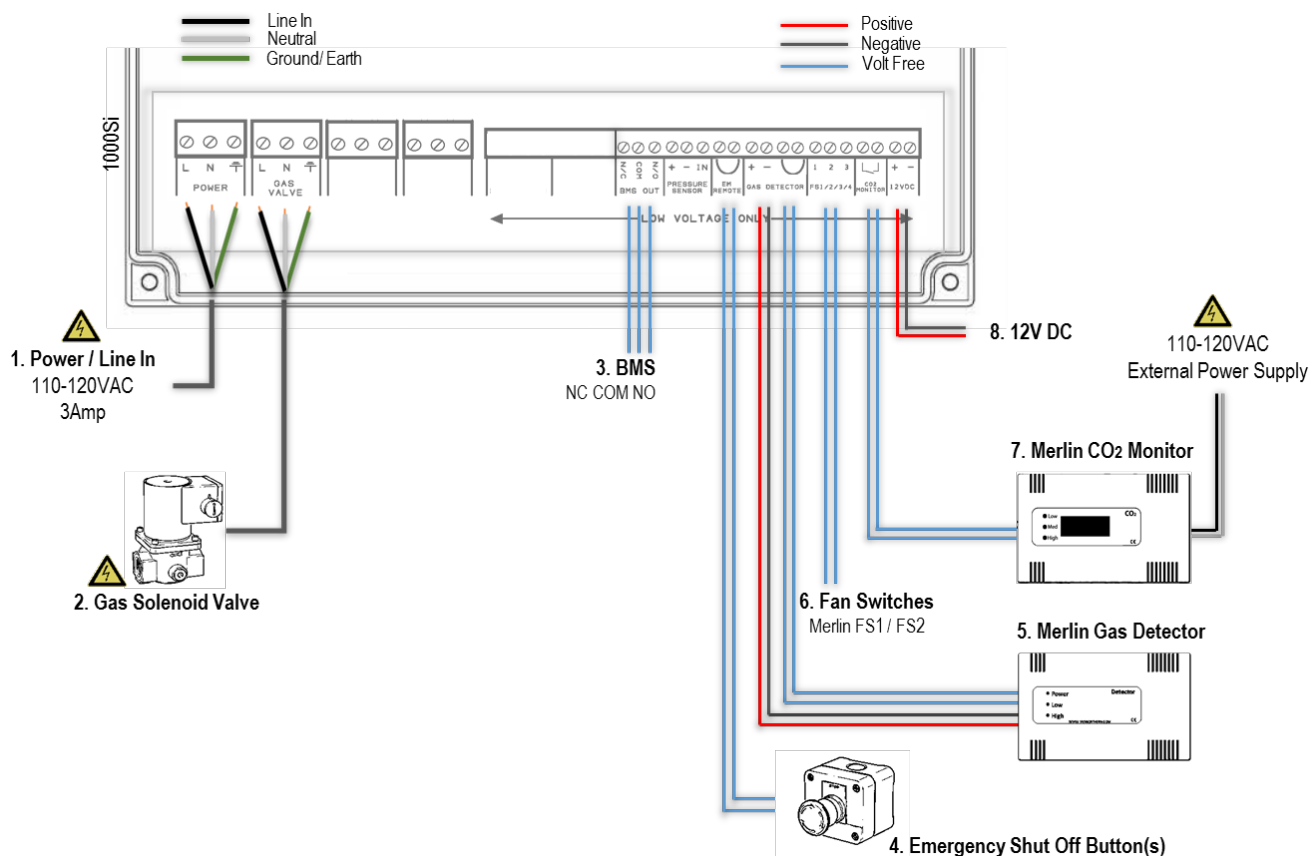
- Carefully remove the front cover from the unit by unscrewing the four bolts located at each corner. To do this – use the socket wrench provided.
- Mark the four screw holes located on the back of the enclosure to the wall. Ensure the wall surface is flat to prevent base distortion.
- After executing the mounting and the connections – replace the front cover and insert the security caps over the four bolts.



- ⚠ Take care when making connections to high voltage connectors!
- ⚠ Any damage attempting to remove the circuit board may void any warranty!
- ⚠ All Class 2 wiring is to be installed within flexible tubing to maintain segregation between circuits!
- ⚠ Wiring of different circuits shall be separated by means of routing, clamping or barrier!

A flush mount kit is available, comprising of a mounting bracket and decorative surround strip. Contact your supplier for more information.

Typical Installation Arrangement



Terminal Connections

1. POWER / LINE IN

110-120V AC Power should be supplied to the [POWER / LINE IN] terminal and fused at 3A.

2. GAS SOLENOID VALVE OUTPUT

110-120V AC electrical power supplied from the [VALVE OUT] connector using a 3 core cable can be connected to a gas solenoid valve which can shut the gas supply on alarm status.

Pressure sensors should be screwed to the downstream port of the valve.

3. BMS OUTPUT

Connections are available on the board for Building Management Systems.

[NO Normally Open] [COM Common] [NC Normally Closed] These are volt free connections.

This is a relay that changes state in alarm or when the gas is on/off and can be used in conjunction with the 12V DC output and other external relays that affect other devices and controls such as purge fans and audible alarms etc. See section; Switch Settings - for BMS options

4. EM REMOTE

Connections for remote emergency shut-off or stop buttons is detailed on the circuit board as [EM REMOTE]. This is linked out as a factory setting. Remote emergency shut-off buttons should be volt free and wired to the Merlin 1000Si using a plenum security cable, white, 18/2 (18AWG 2 conductor), stranded, CMP or similar.

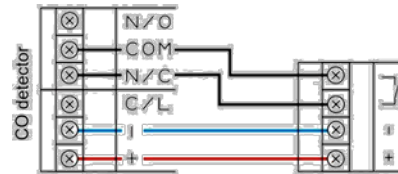
5. GAS DETECTOR

Connections can be made for a Merlin gas detector (LPG, NG, CO or Hydrogen).

If no detector is being used leave the factory fitted link in.

A wiring example is shown.

Refer to your gas detector manual for further information.



6. FAN SWITCHES

This terminal switches when the key is turned on and off.

This can be connected to a fan switch (supplied separately) which can provide power to fans when the control panel is switched on.

7. CO2 MONITOR

This terminal can be used to connect a Merlin CO₂ monitor to shut off the system in the event of a high concentration of CO₂.

If no CO₂ monitor is connected, the panel will ‘beep’ upon power up and the CO₂ LED will flash 3 times to indicate that this terminal has been disabled. An external power supply is required.

Refer to your CO₂ monitor manual for further information.

8. 12V DC

This is a power output for external auxiliary devices when there is power at the panel and can be used to create a relay switch with the BMS relay output.

Max output: 50mA

Switch Settings

Auto Reset

OFF	When power is restored after the power cut/ loss, the panel has to be restarted manually. (Default)
ON	This will instruct the system to restart automatically when power is restored after power cut/loss.



Building Management System Integration

[BMS SEL]. The panel can be integrated with a BMS to make or break a circuit when the gas is either on or off, (valve open or valve closed).

This will tell the BMS whether or not power is being sent to the solenoid valve.

OFF	Signals the BMS when gas is on or gas is off. (Default)
ON	Signals the BMS on a fault i.e. high gas levels detected, emergency shut-off activated etc.



Fan Switch Integration

[EM SEL]. There is the facility to connect a Fan Switch.

A fan switch (Merlin FS1 or FS2 - sold separately) provides the facility to turn on fan(s) when the 1000Si panel is switched on and removes power to fan(s) when the switched off.

OFF	Instructs the system to shut down fan(s) and gas supply upon activation of emergency shut off button(s). (Default)
ON	Instructs the system to leave the fans on and shut off the gas supply only upon activation of emergency shut off button(s).



⚠ This option is not available if a Fan Switch is not installed.

Fire Panel Integration

The Merlin 1000Si can be integrated with a fire alarm to close the gas supply automatically in the event of a fire. The volt free fire alarm signal can be wired in series with any remote emergency shut off buttons. If there are no remote emergency shut off buttons being installed, wire this directly to the terminal marked [EM REMOTE].

Auto Shut-Down - Timeout Period

The system has an auto-shut down feature after a selected time.

There are two switches located on the circuit board labelled [TIME1] & [TIME2].

These can be configured to select the required timeout/ shut-down period.

TIME 1	TIME 2	Timeout Period
OFF	OFF	2 Hours (Default)
ON	OFF	4 Hours
OFF	ON	8 Hours
ON	ON	Disabled



⚠ Upon timeout the gas supply will be turned off unless other utilities are configured.

General Specification

Model:	1000Si
Visual Indication	LED
Mains Electrical Power Input	110-120VAC
Gas Solenoid Valve Output	110-120VAC
Current Consumption	12W max (50mA) @ 120VAC
Internal Fuse	3.15A
Operating Temperature	32 – 104°F 0-95%RH Non-Condensing
Audible Alarm Buzzer dB	65 dB (300mm distance in quiet conditions)
Housing Material	Polylac PA-765
Flame Rating	UL 94
UL Approval Reference	E464760
O/All Dimensions (H x W x D) mm / inch	7.08 x 10 x 3.03"

Operation

First Power Up

On connecting mains power, an LED on the front of the panel (CGS Logo) will illuminate red. Turn the key switch to on position. Turn the key switch to the off position to turn the panel off.

Emergency Shut Off Button

The emergency shut off button is located on the front of the panel. There is also a facility for remote shut off buttons to be wired in series on the circuit board.

The emergency shut off button(s) will cut off the gas supply and electrics only when activated. To reinstate the system, the emergency shut off button(s) will need to be reset and the panel restarted.

LED Indicators

- **Gas On**

When the key switch is turned on, the 'Gas On' LED will illuminate.

ON = Gas On

OFF = Gas Off

- **Testing**

Not used

- **Test Fail**

Not used

- **Pressure Low**

Not used

- **Timeout**

Under normal working conditions this LED is off.

This LED will illuminate AMBER when auto-shut down has occurred.

OFF = OK

ON = Auto-shut down activated.

- **EM Stop**

If an emergency shut off button (either remote or on the panel) is pressed, the LED will illuminate AMBER and the gas will be turned off.

The EM Stop button must be reset before restarting the system.

OFF = OK

ON = Emergency Shut-Off button activated.

- **Gas Detected**

Under normal working conditions this LED is off.

If the external Merlin detector connected detects gas this will show RED and the gas valve will turn off.

OFF = OK

ON = Gas detected.

- **CO₂ High**

Under normal working conditions this LED is off.

If the concentration of CO₂ in the air is at alarm level (relevant detector required), the LED will show RED and the Gas valve will turn off.

OFF = OK

ON = the concentration of CO₂ is at alarm level.

Maintenance

Cleaning

To keep your control panel in good working order - follow these basic principles;

- Remove any dust/debris from the outer enclosure regularly using a slightly damp cloth.
- Never spray air fresheners, hair spray, paint or other aerosols near gas detecting devices.
- Never paint the device.
- It is recommended that any detectors connected to the system are inspected and serviced at least annually from the date of installation for optimum performance and protection.

Bump Test (Gas Response Check)

What is a Gas Response Check?

Response checks are often referred to as a 'BUMP TEST'. Bump tests are important to make sure a gas detection device is able to detect a release of gas as early as possible.

The aim of the bump test is to make sure a gas detector is working at its optimum by briefly exposing the unit to a known concentration of the target gas that exceeds the highest alarm point. If the detector goes into alarm and all system outputs/relays activate, then it is working safely.

If the system fails to operate as intended in an alarm state, the gas detector must not be used until a full inspection and service has been conducted.

Why is it important?

A detector may visually appear in good working order, but its sensitivity can be inhibited by external factors. Dust, humidity, temperature fluctuations, cleaning products, contaminants or sensor drift (ageing) can cause a decline in sensitivity and eventual failure.

Regular bump tests are important to make sure the detector is able to detect a release of gas as early as possible.

How often should I Bump Test a detector?

Regular bump tests are important to make sure the detector is able to detect a release of gas as early as possible. A bump test usually takes seconds (gas type dependant) and is often completed alongside a scheduled fire alarm test, however the frequency should be determined following a risk assessment by the end user. Remember, bump testing does not remove the need to have gas detectors inspected, calibrated and serviced periodically by a trained personnel.

What equipment do I need to perform a Bump Test?

Contact your CGS representative for details of suitable bump testing kits and gases.

Kits usually consist of a certified gas cylinder; flow control regulator, tube pipe and applicator cone.

Installation Details

Please pass this manual to the system owner or system user.

Date of Installation:	
Installation Location:	
Organisation:	
Stamp/ Signature of the installer:	

Canadian Gas Safety

info@canadiangassafety.com

Telephone: 647-577-1500

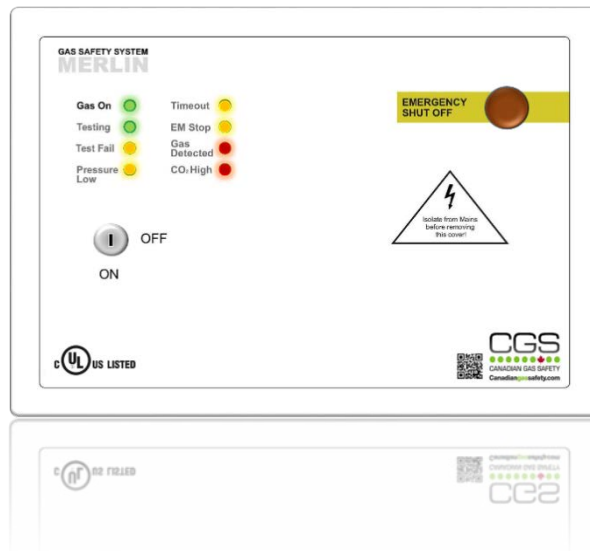


Canadian Gas Safety is the owner of this document and reserves all rights of modification without prior notice.



Merlin 1000Si

Contrôleur d'isolation pour les services de gaz



Manuel d'installation et d'utilisation

Veuillez lire attentivement ce manuel et le conserver pour une utilisation ultérieure.

Le système Merlin 1000Si est spécialement conçu pour une utilisation dans les établissements d'enseignement et les laboratoires. Le système est conçu pour donner un contrôle total sur l'arrivée de gaz avec l'interrupteur à clé principal verrouillable.





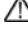




Les informations contenues dans ce manuel doivent être référencées pour une installation et un fonctionnement typiques uniquement.

Pour les exigences spécifiques qui peuvent s'écarter des informations contenues dans ce guide, contactez votre fournisseur.

Table des matières

MISES EN GARDE IMPORTANTES.....	3
INSTALLATION.....	4
Planification	4
Fixation - Montage.....	4
Disposition typique d'installation	5
Connexions des terminaux.....	5
Réglages interrupteurs.....	6
Spécification générale.....	8
FONCTIONNEMENT	9
Première mise sous tension.....	9
Bouton d'arrêt d'urgence	9
Indicateurs DEL.....	9
MAINTENANCE	11
Nettoyage.....	11
Test de déclenchement (contrôle de la réaction au gaz).....	11
Détails de l'installation.....	12

MISES EN GARDE IMPORTANTES

-  Veuillez prendre le temps de lire attentivement ce guide de l'utilisateur, qui doit être conservé pour référence ultérieure.
-  Cet appareil nécessite une alimentation électrique continue - il ne fonctionnera pas sans courant.
-  Ce dispositif ne doit pas être utilisé pour remplacer l'installation, l'utilisation et/ou l'entretien corrects des appareils à combustibles, y compris les systèmes de ventilation et d'évacuation appropriés.
-  Ce dispositif n'empêche pas les gaz dangereux de se produire ou de s'accumuler.
-  Un fonctionnement non continu (intermittent) n'affectera pas les performances.
-  Le déclenchement des alarmes indique la présence d'un danger.
-  Votre produit doit vous parvenir en parfait état, si vous pensez qu'il est endommagé, contactez votre fournisseur.

Garantie du fabricant

Couverture de la garantie : Le fabricant garantit à l'acheteur d'origine que ce produit est exempt de tout défaut de matériel et de fabrication pendant une période de trois (3) ans à compter de la date d'achat.

La responsabilité du fabricant est limitée au remplacement du produit par un produit réparé, à la discrétion du fabricant. Cette garantie est nulle si le produit a été endommagé par un accident, une utilisation déraisonnable, une négligence, une altération ou d'autres causes ne résultant pas d'un défaut de matériau ou de fabrication. Cette garantie s'étend uniquement au premier acheteur consommateur du produit.


Exclusion de garantie : Toutes les garanties implicites découlant de cette vente, y compris, mais sans s'y limiter, les garanties implicites de description, de qualité marchande et de finalité opérationnelle prévue, sont limitées dans le temps à la période de garantie ci-dessus. En aucun cas, le fabricant ne peut être tenu responsable de la perte d'utilisation de ce produit ou de tout dommage indirect, spécial, accessoire ou consécutif, ou des coûts ou dépenses encourus par le consommateur ou tout autre utilisateur de ce produit, que ce soit en raison d'une rupture de contrat, d'une négligence, d'une responsabilité stricte en matière délictuelle ou autre. Le fabricant n'est pas responsable des dommages corporels, des dommages matériels ou de tout dommage spécial, accessoire, éventuel ou consécutif de quelque nature que ce soit résultant d'une fuite de gaz, d'un incendie ou d'une explosion. Cette garantie n'affecte pas vos droits légaux.

Exécution de la garantie : Pendant la période de garantie ci-dessus, votre produit sera remplacé par un produit comparable si le produit défectueux est renvoyé avec la preuve de la date d'achat. Le produit de remplacement restera sous garantie pour le reste de la période de garantie initiale ou pour six mois - selon la période la plus longue.



Informations sur l'élimination des déchets pour les consommateurs d'équipements électriques et électroniques.

Lorsque ce produit a atteint sa fin de vie, il doit être traité comme un déchet d'équipements électriques et électroniques (DEEE). Les produits marqués DEEE ne doivent pas être mélangés avec les déchets ménagers généraux, mais conservés séparément pour le traitement, la récupération et le recyclage des matériaux utilisés. Veuillez contacter votre fournisseur ou votre autorité locale pour obtenir des détails sur les programmes de recyclage dans votre région.

-  *Sinon, tous les produits CGS peuvent être emballés en toute sécurité et retournés clairement marqués pour être éliminés.*

INSTALLATION

Planification

Le système Merlin 1000Si est spécialement conçu pour une utilisation dans les établissements d'enseignement et les laboratoires.

Le Merlin 1000Si est conçu pour donner à l'enseignant un contrôle total sur l'arrivée de gaz avec l'interrupteur à clé principal verrouillable.

Le Merlin 1000Si peut fonctionner en conjonction avec des capteurs de dioxyde de carbone, de gaz naturel, de monoxyde de carbone et de GPL. Le Merlin 1000Si dispose également d'un dispositif de temporisation intégré qui coupe automatiquement l'électrovanne à la fin d'une période donnée. Cette période peut être ajustée à 2, 4, 8 heures ou peut être annulée si nécessaire.

⚠ Veuillez vous référer au manuel de votre détecteur pour des informations importantes concernant la couverture, l'emplacement et le positionnement, y compris les zones et les conditions à éviter.

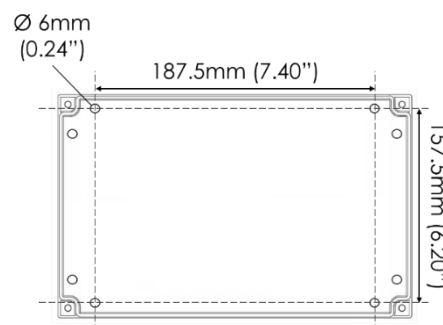
Fixation - Montage

Placez le panneau à 48-60 pouces au-dessus du niveau du sol.

Déballez toutes les pièces!

Conçu pour un montage en surface, il doit être installé par un entrepreneur agréé et assuré.

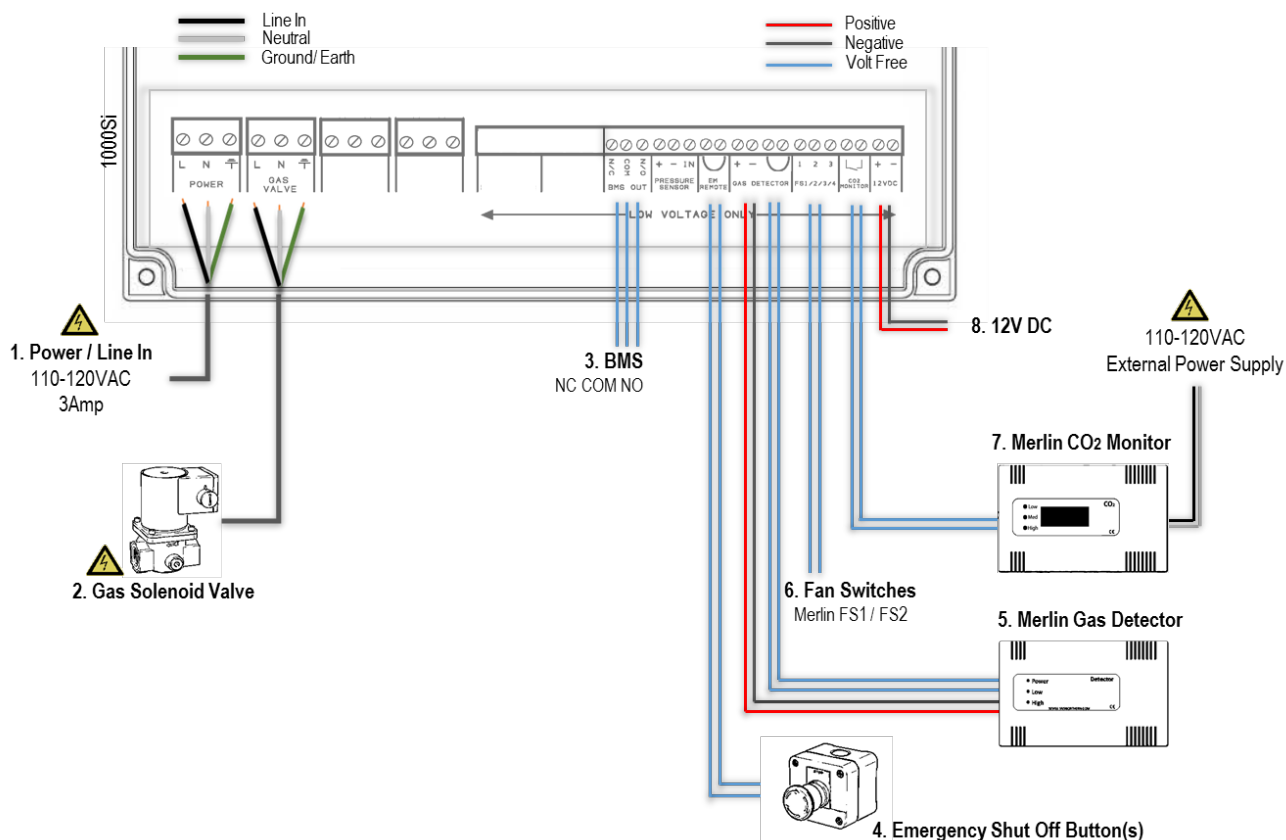
1. Retirez soigneusement le couvercle avant de l'appareil en dévissant les quatre boulons situés à chaque coin. Pour ce faire, utilisez la clé à douille fournie.
2. Marquez au mur les quatre trous de vis situés à l'arrière de l'enceinte. Veillez à ce que la surface du mur soit plane pour éviter la déformation de la base.
3. Après avoir effectué le montage et les raccordements, remplacez le couvercle avant et insérez les capuchons de sécurité sur les quatre boulons.



- ⚠ Faites attention aux branchements sur des connecteurs à haute tension!
- ⚠ Toute tentative de retirer la carte de circuit imprimé peut annuler toute garantie!
- ⚠ Tout le câblage de classe 2 doit être installé dans des tubes flexibles pour maintenir la séparation entre les circuits!
- ⚠ Le câblage des différents circuits doit être séparé au moyen d'un routage, d'un serrage ou d'une barrière!

Un kit d'encastrement est disponible, comprenant un support de montage et une bande décorative. Contactez votre fournisseur pour plus d'informations.

Disposition typique d'installation



Connexions des terminaux

1. POWER/LINE IN

L'alimentation 110-120 V CA doit être fournie à la borne [POWER / LINE IN] et être protégée par un fusible de 3 A.

2. VALVE OUT

Une alimentation électrique de 110-120 V CA fournie par le connecteur [VALVE OUT] à l'aide d'un câble à 3 conducteurs peut être connectée à une électrovanne à gaz qui peut couper l'alimentation en gaz en cas d'alarme.

⚠ Les capteurs de pression doivent être vissés à l'orifice en aval de la vanne.

3. BMS OUT

Des connexions sont disponibles sur le tableau pour les systèmes de gestion des bâtiments. [NO Normalement ouvert] [COM Commun] [NC Normalement fermé] Il s'agit de connexions sans tension. Il s'agit d'un relais qui change d'état en cas d'alarme ou lorsque le gaz est allumé/éteint et qui peut être utilisé en conjonction avec la sortie 12 V CC et d'autres relais externes qui affectent d'autres dispositifs et commandes tels que les ventilateurs de purge et les alarmes sonores, etc. Voir la section ; Réglages des interrupteurs - pour les options du BMS

4. EM REMOTE

Les connexions pour les boutons d'arrêt d'urgence ou d'arrêt à distance sont détaillées sur le circuit imprimé sous le nom de [EM REMOTE]. Il s'agit d'un réglage d'usine. Les boutons d'arrêt d'urgence à distance doivent être libres de potentiel et reliés au Merlin 1000Si par un câble de sécurité de plénum, blanc, 18/2 (conducteur 18AWG 2), toronné, CMP ou similaire.

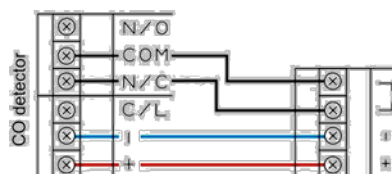
5. GAS DETECTOR

Des connexions peuvent être effectuées pour un détecteur de gaz Merlin (GPL, GN, CO ou hydrogène).

Si aucun détecteur n'est utilisé, laissez le lien installé en usine.

Un exemple de câblage est présenté.

Pour plus d'informations, consultez le manuel de votre détecteur de gaz.



6. FAN SWITCHES

Ce terminal s'allume lorsque la clé est activée et désactivée.

Celui-ci peut être connecté à un interrupteur de ventilateur (fourni séparément) qui peut fournir l'alimentation aux ventilateurs lorsque le panneau de contrôle est allumé.

7. CO2 MONITOR

Ce terminal peut être utilisé pour connecter un moniteur de CO₂ Merlin afin d'éteindre le système en cas de concentration élevée de CO₂.

Si aucun moniteur de CO₂ n'est connecté, le panneau émet un « bip » à la mise sous tension et la DEL CO₂ clignote 3 fois pour indiquer que ce terminal a été désactivé. Une alimentation électrique externe est nécessaire.

Pour plus d'informations, consultez le manuel de votre moniteur de CO₂.

8. 12VDC

Il s'agit d'une sortie de puissance pour les appareils auxiliaires externes lorsqu'il y a du courant au panneau et peut être utilisé pour créer un interrupteur de relais avec la sortie de relais du BMS.

Sortie maximale : 50 mA

Réglages interrupteurs

Réinitialisation automatique [AUTO RESET].

OFF	Lorsque le courant est rétabli après la coupure/la perte de courant, le panneau doit être redémarré manuellement. (Par défaut)
ON	Le système redémarrera automatiquement lorsque le courant sera rétabli après une coupure/perte de courant.



AUTO RESET
BMS SEL
EM SEL

Intégration du système de gestion des bâtiments [BMS SEL].

Le panneau peut être intégré à un BMS pour établir ou interrompre un circuit lorsque le gaz est en marche ou à l'arrêt, (vanne ouverte ou vanne fermée).

Cela indiquera au BMS si l'énergie est envoyée ou non à l'électrovanne.

OFF	Signale au BMS que le gaz est allumé ou éteint. (Par défaut)
ON	Signale au BMS un défaut, c'est-à-dire la détection de niveaux de gaz élevés, l'activation d'un arrêt d'urgence, etc.




Intégration des commutateurs de ventilateur

Il est possible de brancher un interrupteur de ventilateur.

Un interrupteur de ventilateur (Merlin FS1 ou FS2 - vendu séparément) permet de mettre en marche le(s) ventilateur(s) lorsque le panneau 1000Si est allumé et de couper l'alimentation du(des) ventilateur(s) lorsque celui-ci est éteint.

OFF	Donne l'instruction au système d'arrêter le(s) ventilateur(s) et l'alimentation en gaz lors de l'activation du(des) bouton(s) d'arrêt d'urgence. (Par défaut)
ON	Donne l'instruction au système de ne laisser les ventilateurs en marche et de ne couper l'alimentation en gaz qu'en cas d'activation du ou des bouton(s) d'arrêt d'urgence.



 Cette option n'est pas disponible si un interrupteur de ventilateur n'est pas installé.

Intégration du panneau incendie

Le Merlin 1000Si peut être intégré avec une alarme incendie pour fermer automatiquement l'alimentation en gaz en cas d'incendie. Le signal d'alarme d'incendie sans tension peut être câblé en série avec n'importe quel bouton d'arrêt d'urgence à distance. Si aucun bouton d'arrêt d'urgence à distance n'est installé, branchez-le directement sur le terminal marqué [EM REMOTE].

Arrêt automatique - Période de temporisation


Le système est doté d'une fonction d'arrêt automatique après un certain temps.

Il y a deux interrupteurs situés sur le circuit imprimé, étiquetés [TIME1] et [TIME2].

Ils peuvent être configurés pour sélectionner la période d'arrêt requise.

TIME 1	TIME 2	Période de temporisation
OFF	OFF	2 heures (par défaut)
ON	OFF	4 heures
OFF	ON	8 heures
ON	ON	Désactivé



 En cas d'interruption, l'alimentation en gaz sera coupée, sauf si d'autres services publics sont configurés.

Spécification générale

Modèle :	1000Si
Indication visuelle	DEL
Alimentation électrique du secteur	110-120 V CA
Sortie de l'électrovanne à gaz	110-120 V CA
Consommation actuelle	12 W max (50 mA) @ 120 V CA
Fusible interne	3,15 A
Température de fonctionnement	32 - 104 °F 0-95 % HR sans condensation
Alarme sonore en dB	65 dB (distance de 300 mm dans des conditions de calme)
Connexion Internet	N/D
Matériau du logement	Polylac PA-765
Cote d'inflammabilité	UL 94
Approbations	UL E464760
O/Toutes dimensions (H x L x P) mm / pouce	7,08 x 10 x 3,03" po

FONCTIONNEMENT

Première mise sous tension

Lors du branchement sur le secteur, une DEL à l'avant du panneau (logo CGS) s'allume en rouge.
Pour éteindre le panneau, mettez l'interrupteur à clé en position « off ».

Bouton d'arrêt d'urgence

Le bouton d'arrêt d'urgence est situé à l'avant du panneau.
Il existe également un dispositif permettant de câbler en série des boutons d'arrêt à distance sur le circuit imprimé.

Le(s) bouton(s) d'arrêt d'urgence ne coupent l'alimentation en gaz et l'électricité que lorsqu'ils sont activés.

Pour rétablir le système, le(s) bouton(s) d'arrêt d'urgence devra(ont) être réinitialisé(s) et le panneau redémarré.

Indicateurs LED

- **Gaz sur**

Lorsque l'interrupteur à clé est allumé, la LED s'allume

ON = Gaz sur

OFF = désactivé

- **Essai**

Non utilisé

- **Échec du test**

Non utilisé

- **Pression basse**

Non utilisé

- **Temps d'arrêt**

Dans des conditions de travail normales, cette DEL est éteinte.

Cette DEL s'allume en couleur AMBRE lorsque l'arrêt automatique a eu lieu.

OFF = OK

ON = Arrêt automatique activé.

- **Arrêt EM**

Si vous appuyez sur un bouton d'arrêt d'urgence (à distance ou sur le panneau), la DEL s'allumera en couleur AMBRE et le gaz sera éteint.

Le bouton d'arrêt d'urgence doit être réinitialisé avant de redémarrer le système.

OFF = OK

ON = bouton d'arrêt d'urgence activé.

- **Gaz détecté**

Dans des conditions de travail normales, cette DEL est éteinte.

Si le détecteur Merlin externe connecté détecte du gaz, celui-ci s'affiche en ROUGE et la vanne de gaz s'éteint.

OFF = OK

ON = Gaz détecté.

- **CO₂ élevé**

Dans des conditions de travail normales, cette DEL est éteinte.

Si la concentration de CO₂ dans l'air est au niveau d'alarme (détecteur approprié requis), la DEL s'allumera en ROUGE et la vanne de gaz s'éteindra.

OFF = OK

ON = la concentration de CO₂ est au niveau d'alarme.

MAINTENANCE

Nettoyage

Pour maintenir votre panneau de commande en bon état de fonctionnement, suivez ces principes de base ;

- Retirez régulièrement les poussières/débris de l'enceinte extérieure à l'aide d'un chiffon légèrement humide.
- Ne jamais vaporiser de désodorisant, de la laque pour cheveux, de la peinture ou d'autres aérosols à proximité d'appareils de détection de gaz.
- Ne jamais peindre l'appareil.
- Il est recommandé que tous les détecteurs connectés au système soient inspectés et entretenus au moins une fois par an à partir de la date d'installation pour une performance et une protection optimales.

Test de déclenchement (contrôle de la réaction au gaz)

Qu'est-ce qu'un contrôle de la réaction au gaz?

Les contrôles de réaction sont souvent appelés « TEST DE FIABILITÉ ». Les tests de déclenchement sont importants pour s'assurer qu'un appareil de détection de gaz est capable de détecter un dégagement de gaz le plus tôt possible.

Le but du test de déclenchement est de s'assurer qu'un détecteur de gaz fonctionne de manière optimale en exposant brièvement l'appareil à une concentration connue du gaz cible qui dépasse le point d'alarme le plus élevé. Si le détecteur déclenche une alarme et que toutes les sorties/ relais du système s'activent, c'est qu'il fonctionne en toute sécurité.

Si le système ne fonctionne pas comme prévu dans un état d'alarme, le détecteur de gaz ne doit pas être utilisé avant qu'une inspection et un entretien complets n'aient été effectués.

Pourquoi est-ce important?

Un détecteur peut apparaître visuellement en bon état de fonctionnement, mais sa sensibilité peut être inhibée par des facteurs externes. La poussière, l'humidité, les fluctuations de température, les produits de nettoyage, les contaminants ou la dérive des capteurs (vieillesse) peuvent entraîner une baisse de sensibilité et une éventuelle défaillance.

Des tests de déclenchement réguliers sont importants pour s'assurer que le détecteur est capable de détecter un dégagement de gaz le plus tôt possible.

À quelle fréquence dois-je tester un détecteur?

Des tests de déclenchement réguliers sont importants pour s'assurer que le détecteur est capable de détecter un dégagement de gaz le plus tôt possible. Un test de déclenchement prend généralement quelques secondes (en fonction du type de gaz) et est souvent effectué en même temps qu'un test d'alarme incendie programmé, mais la fréquence doit être déterminée après une évaluation des risques par l'utilisateur final. N'oubliez pas que le test de déclenchement ne supprime pas la nécessité de faire inspecter, calibrer et entretenir périodiquement les détecteurs de gaz par un personnel qualifié.

De quel matériel ai-je besoin pour effectuer un test de déclenchement?

Contactez votre représentant CGS pour obtenir des détails sur les kits de tests de déclenchement et les gaz appropriés.

Les kits se composent généralement d'une bouteille de gaz certifiée, d'un régulateur de débit, d'un tube et d'un cône applicateur.

Détails de l'installation

Veillez transmettre ce manuel au propriétaire ou à l'utilisateur du système.

Date d'installation :	
Lieu d'installation :	
Entreprise :	
Cachet / Signature de l'installateur :	

Canadian Gas Safety

info@canadiangassafety.com

Téléphone : (647) 577-1500



Canadian Gas Safety est le propriétaire de ce document et se réserve tous les droits de modification sans préavis.