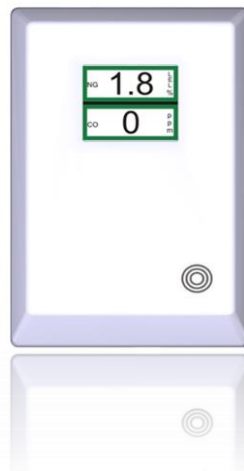




MINI MERLIN

CH₄CO: DUAL GAS DETECTOR

Methane & Carbon Monoxide



Installation, Operation & Maintenance

Please read this manual carefully and retain for future use.

Your new Mini Merlin is a dual gas sensor carefully designed and tested to monitor levels of Methane (CH₄) and Carbon Monoxide (CO) in the air. If there is a dangerous build-up of gas at the sensor, this device can shut off the gas supply via a gas safety valve and /or gas fired appliance(s). This device has additional features for resetting systems, as well as audible and visual alarms - It can also be integrated with a Building Management System (BMS).



The information contained within this manual should be referenced for typical installation and operation only. For specific requirements that may deviate from the information in this guide – contact your supplier.

Contents

IMPORTANT SAFETY INSTRUCTIONS	3
Carbon Monoxide Gas – General Information	4
Methane Gas – General Information	5
Installation	6
Planning	6
Typical Location and Positioning	6
Mounting	7
Board Overview	8
Wiring	8
Auto Reset & Buzzer	11
Building Management System Integration	11
Specification	11
Operation	12
First Power Up	12
Reset the Device	12
Manual Operation Test	12
Display Overview	12
Power Off	12
Gas Level Alarms	13
Remote Shut-Off Screen	13
End of Life Screen	13
Maintenance & Testing	14
Cleaning	14
Manual Operation Test	14
Gas Testing Overview	14
Gas Sensor Types & Reaction Times	14
Gas Testing Kits	15
Mini Merlin Gas Testing Procedure	15
Test Gas Storage & Handling	16
Test Record	18



IMPORTANT SAFETY INSTRUCTIONS

Before any installation, use or maintenance read this manual carefully.

The information contained within this manual should be referenced for typical installation and operation only.

For site specific requirements that may deviate from the information in this guide – contact your supplier.

If this device is used in a manner not specified by the manufacturer, the safety provided by the device may be impaired.

This device is designed for indoor operation only.

The internal fuse should be replaced only with the same type. Anti-surge fuse 3.15A 250Vac 5x20.

The expected lifetime of gas sensor elements is 5 years upon initial power up. The device will display a message to indicate this time and should immediately be replaced.

It is recommended that this device be commissioned upon installation and serviced annually.

Do not apply lighter gas or other aerosols to the device – this will cause extreme damage.

High concentrations of alcohol / ethanol found in many products may damage, deteriorate or affect the gas sensing elements – Avoid exposure near your device.

This equipment is designed to detect carbon monoxide and natural gas ONLY - from any source of combustion.

It is NOT designed to detect smoke, fire or other gases and should NOT be used as such.

This device provides early warning of the presence of methane or carbon monoxide, usually before a healthy adult would experience symptoms. This early warning is possible provided your alarm is located, installed and maintained as described in this guide.

This device requires a continual supply of electrical power – it will not work without power.

This device should not be used to substitute proper installation, use and / or maintenance of fuel burning appliances including appropriate ventilation and exhaust systems.

This device does not prevent methane or carbon monoxide from occurring or accumulating.

Actuation of your alarm indicates the presence of dangerous levels of Methane or CO.

Seek fresh air supply and contact your local gas emergency service should you suspect a gas leak.

This device may not fully safeguard individuals with specific medical conditions.

If in doubt, consult a doctor / physician.

Your product should reach you in perfect condition, if you suspect it is damaged, contact your supplier.

Manufacturer's Warranty

Warranty Coverage: The manufacturer warrants to the original consumer purchaser, that this product will be free of defects in material and workmanship for a period of two (2) years from date of purchase.

The manufacturer's liability hereunder is limited to replacement of the product with repaired product at the discretion of the manufacturer. This warranty is void if the product has been damaged by accident, unreasonable use, neglect, tampering or other causes not arising from defects in material or workmanship.

This warranty extends to the original consumer purchaser of the product only.

Disclaimers: Any implied warranties arising out of this sale, including but not limited to the implied warranties of description, merchantability and intended operational purpose, are limited in duration to the above warranty period. In no event shall the manufacturer be liable for loss of use of this product or for any indirect, special, incidental or consequential damages, or costs, or expenses incurred by the consumer or any other user of this product, whether due to a breach of contract, negligence, strict liability in tort or otherwise. The manufacturer shall have no liability for any personal injury, property damage or any special, incidental, contingent or consequential damage of any kind resulting from gas leakage, fire or explosion. This warranty does not affect your statutory rights.

Performance: During the above warranty period, your product will be replaced with a comparable product if the defective product is returned together with proof of purchase date. The replacement product will be in warranty for the remainder of the original warranty period or for six months – whichever is the greatest.



Information on waste disposal for consumers of electrical & electronic equipment.

When this product has reached the end of its life it must be treated as Waste Electrical & Electronics Equipment (WEEE).

Any WEEE marked products must not be mixed with general household waste, but kept separate for the treatment, recovery and recycling of the materials used. Please contact your supplier or local authority for details of recycling schemes in your area.

Carbon Monoxide Gas – General Information

Carbon monoxide (CO) is a poisonous, colourless, odourless, and tasteless gas. Although it has no detectable odor, CO is often mixed with other gases that do have an odor. So, you can inhale carbon monoxide right along with gases that you can smell and not be aware that CO is present.

SYMPTOMS OF CARBON MONOXIDE GAS POISONING

The following symptoms are related to CO poisoning and should be discussed with all members of the household, facility or person(s) frequenting monitored areas.

Mild Exposure: Slight headache, nausea, vomiting, fatigue, flu-like symptoms.

Medium Exposure: Severe headache, drowsiness, confusion, increased heart rate.

Extreme Exposure: Unconsciousness, convulsions, cardio-respiratory failure, death.

If you experience even mild symptoms of exposure – consult a doctor / physician immediately.

CARBON MONOXIDE GAS LEVELS

This device is equipped with a digital display that shows levels of CO displayed in PPM (parts per million).

Dangerous levels: Generally above 100ppm. This should be treated as an urgent situation.

Medium levels: Generally between 50ppm to 100ppm. This should be cause for concern and should not be ignored or dismissed.

Low levels: Maximum acceptable indoor level of CO is <9ppm. Anything above this level may cause possible health effects with long-term exposure.

See the specification table for how your device monitors Carbon Monoxide gas.

POSSIBLE SOURCES OF CARBON MONOXIDE GAS

Inside your home or facility, gas appliances used for heating, water heating and cooking are the most likely sources of CO. Vehicles running in attached garages can also produce dangerous levels of CO.

CO can be produced when burning any fossil fuel, such as gasoline, propane, natural gas, oil and wood. It can be produced in any fuel burning appliance that is malfunctioning, improperly installed or insufficiently ventilated.

- Automobiles, gas stoves, water heaters, portable fuel burning heaters, fireplaces.
- Blocked chimneys or flues, corroded or disconnected vent pipes.
- Vehicles and other combustion engines running in open or confined spaces.
- Burning charcoal or fuel in grills in an enclosed area or near the home.

For more information, please visit our website or contact your local CGS distributor.

Methane Gas – General Information

Methane gas comes from the earth and it comes from our bodies. Methane is non-toxic and it can be harnessed as an energy source. However, methane is highly explosive and it can cause death by asphyxiation. It is important to understand how to deal with the hazards associated with methane.

Although methane on its own isn't poisonous, it has the potential to become poisonous when mixed with other substances. That potential exists when natural gas (CH₄), which is 97% methane, is burned in houses, offices and businesses. The burning of natural gas without proper ventilation can produce carbon monoxide, a deadly gas that is difficult to detect.

SYMPTOMS OF METHANE GAS EXPOSURE

Methane gas is relatively non-toxic and associated with being a simple asphyxiator displacing oxygen in the lungs. However Methane is extremely combustible.

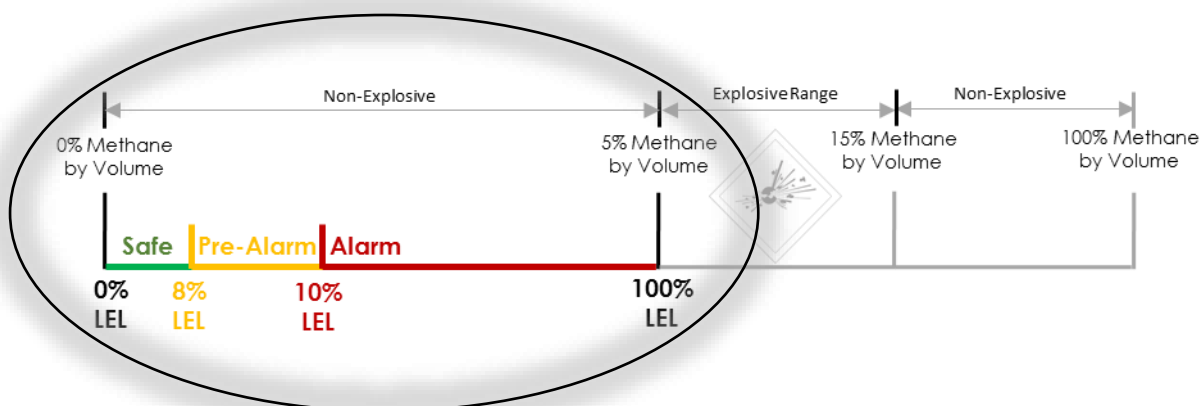
Exposure to high levels of Methane can cause:

- Suffocation
- Loss of consciousness
- Headache and dizziness
- Nausea and vomiting
- Weakness
- Loss of co-ordination
- Increased breathing rate

METHANE GAS LEVELS - %

The LEL (Lower Explosive Limit) of methane is considered to be 5% BV (by volume of air). So we call 5% BV (by volume) the same as 100% of the LEL (Lower Explosion Limit).

Your device is equipped with a digital display that shows the level of natural gas in the area referred to as LEL% (a percentage of the LEL) and will alarm based on the following principle of gas detection.



In simplified terms, a level of 8% LEL or less on your device is generally considered safe and acceptable. For more information, please visit our website or contact your local CGS distributor.

Installation

Planning

Our monitors should be installed in areas at risk of gas leaks e.g. over boilers, valves or meters. Take in to account the design of the air flow patterns within the zone area.

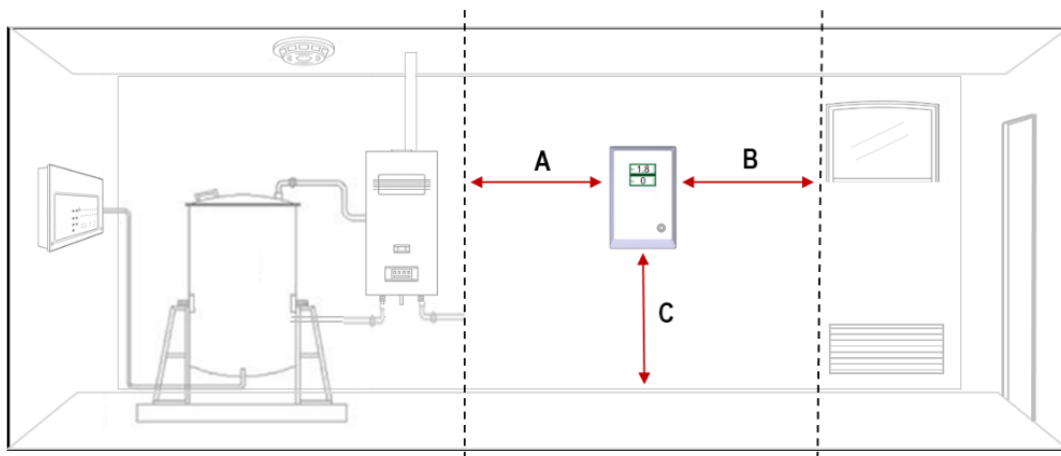
Detectors should be installed in the correct orientation, as recommended by the manufacturer, and ease of access should be accounted for to allow for any bump tests and other forms of maintenance.

Typical Location and Positioning

Consider the coverage required and function of the area. Emphasis should be placed on airflow patterns and correct placement, not perceived detecting ranges. The target gas will only be identified when contact is made with the sensing element itself.

Multiple detectors may be required to adequately protect property and persons.

Locations for detectors will vary based on the intended application, they should be located near identified sources of a potential gas leaks / pockets where hazardous gas could quickly accumulate and areas of identified consequential risk.



- A. 6ft from sources of combustion e.g. boiler s/ heaters / gas fired appliances etc.
- B. 4ft from draft zones and ventilation areas e.g. windows, doorways and A/C units etc.
- C. 5ft from ground level.

Recommended heights may vary based on air flow and temperature conditions in addition to the proposed application and location. The device should be mounted near the boiler or gas fired appliances such as domestic & commercial boiler rooms and basements.

When choosing your location, make sure you are able to hear the alarm from all areas.

Avoid conditions of any other environmental factors that could potentially impede the accuracy and operation of the detector such as; condensation; vibration; temperature, pressure, the presence of other gases, electromagnetic interference and draft zones.

Mounting

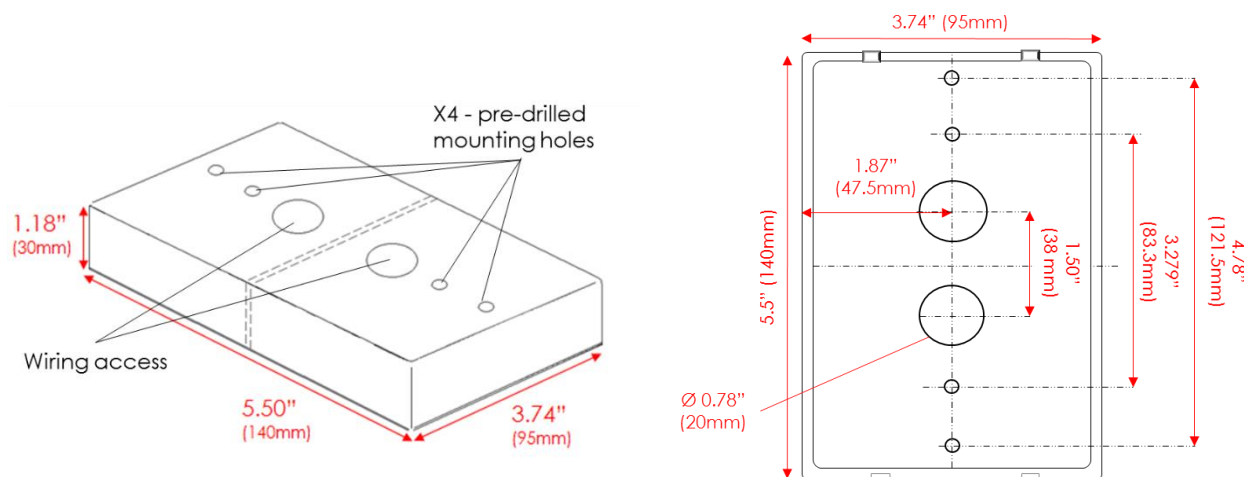
Unpack all the parts!

This device is designed for either surface mounting, or mounted on a one or two gang electrical box and must be installed by a licensed, insured contractor.

This device comes with a deep base back cover and barrier slip to maintain segregation between high and low volt connections.

A flush mount base is available – Contact your supplier for more information.

1. Carefully remove the rear cover from the unit by releasing the two latching clips with a small flathead screwdriver.
2. Using the rear cover - mark the screw holes to the wall or align with the electrical box. If mounting direct to wall - ensure the wall surface is flat to prevent base distortion.
3. There are pre-fractured areas for cable entry and barrier to separate low and high volt connections.
4. Mount at 5 feet from ground level and in accordance with any applicable regulations.
5. After executing the mounting and connections – secure the rear cover.



- ⚠ Take care when making connections to high voltage connectors!
- ⚠ Any damage attempting to remove the circuit board may void any warranty!
- ⚠ All Class 2 wiring is to be installed within flexible tubing to maintain segregation between circuits!
- ⚠ Wiring of different circuits shall be separated by means of routing, clamping or barrier!
- ⚠ All wiring shall be made of copper!

Board Overview

REMOTE SHUT OFF

Open / Close Circuit Connector

Shuts off gas valve if external devices are activated i.e. fire alarm etc.

Wire Size: 18-14AWG

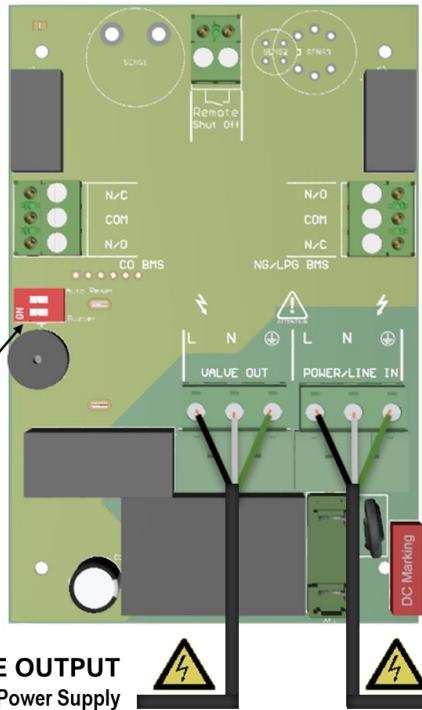
CO BMS
Switches when CO gas reaches alarm level or if mini-merlin encounters power failure.
0.5A Switching current (resistive load)
Wire Size: 18-14AWG

NG BMS
Switches when NG gas reaches alarm level or if mini-merlin encounters a power failure.
0.5A Switching current (resistive load)
Wire Size: 18-14AWG

Auto-Reset On/Off switch
Buzzer On/Off switch

GAS VALVE OUTPUT
100-120Vac Valve Power Supply
Wire Size: 18-12AWG

POWER/ LINE INPUT
100-120Vac Mains Electrical Supply
Frequency: 50-60Hz / Wire Size: 18-12AWG



Wiring

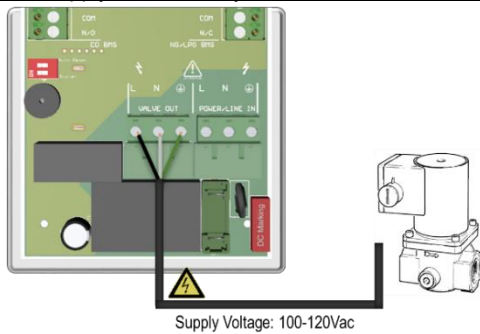
GAS VALVE

A gas solenoid valve should be powered using the terminals marked [VALVE OUT].

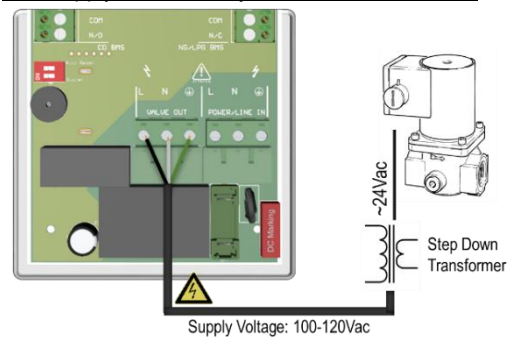
When the valve out terminal is wired to a normally closed (NC) gas solenoid valve, the device can be used to isolate the gas supply for multiple appliances.

Use an external transformer (not supplied) to close a 24VAC gas solenoid valve that could supply gas to one or more appliances.

Gas Supply Controlled by 100-120VAC Solenoid Valve



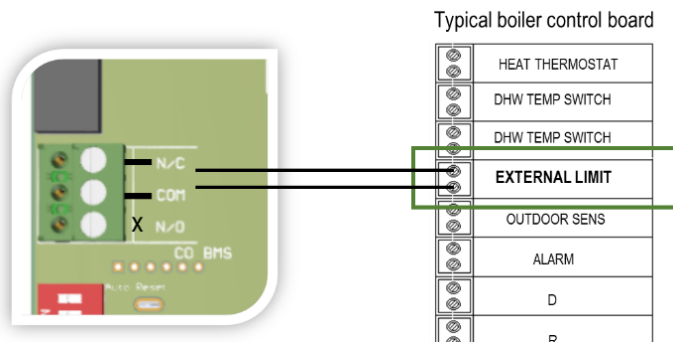
Gas Supply Controlled by 24VAC Solenoid Valve



We do not recommend installing a gas solenoid valve with standing pilots!

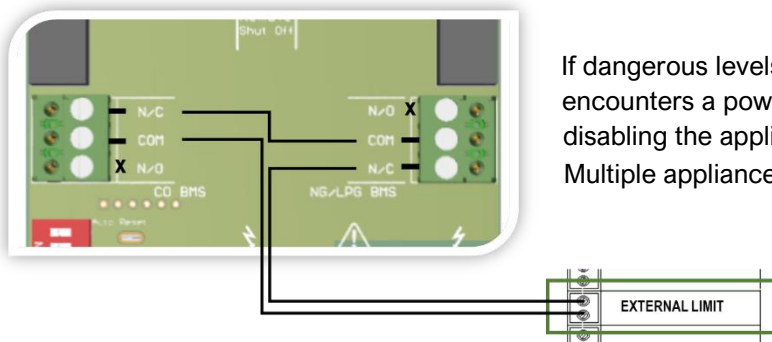
If you use a gas solenoid valve, please note that standing pilots will need to be re-lit!

APPLIANCE LIMIT CIRCUIT



The device can be used to directly shut down a gas appliance when a fault condition is detected (gas leak) by wiring terminals of one BMS into the low voltage safety limit circuit of the appliance.

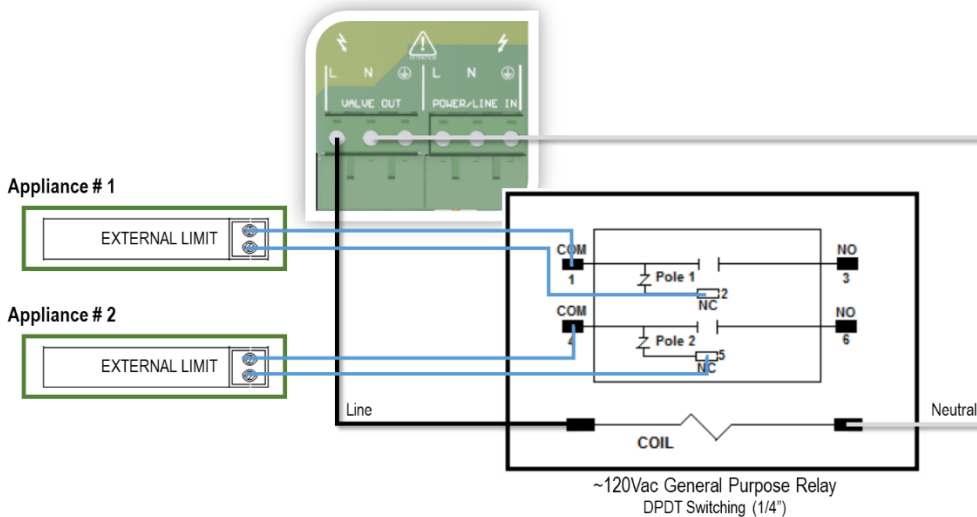
To connect both BMS to the safety limit circuit of an appliance - wire in series.



If dangerous levels of gas are detected or the mini-merlin encounters a power failure, the circuit is opened, disabling the appliance. Multiple appliance limit switches can be wired in series.

ADAPTABLE OUTPUTS

The mini-merlin can be used to effect external relays and contactors to disable multiple appliances when a fault condition is detected. Multi-pole relays can interrupt power to electrical circuits controlling boiler, valves and pumps.

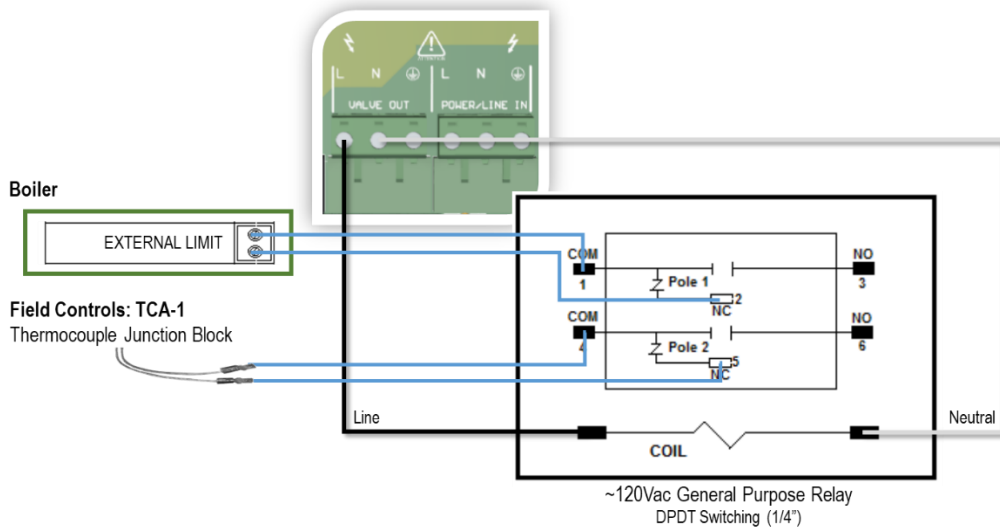


Low voltage wiring is to be inserted into the external limit circuit of a gas appliance. The diagram shows a 120VAC general purpose primary coil with two sets of switches, each with Normally Open (NO) and Normally Closed (NC) contacts. These contacts are rated for up to 12A AFL. They can be used to break a low or line volt limit circuit or completely remove power to an appliance.

PILOT WATER HEATER & BOILER LIMIT BREAKER

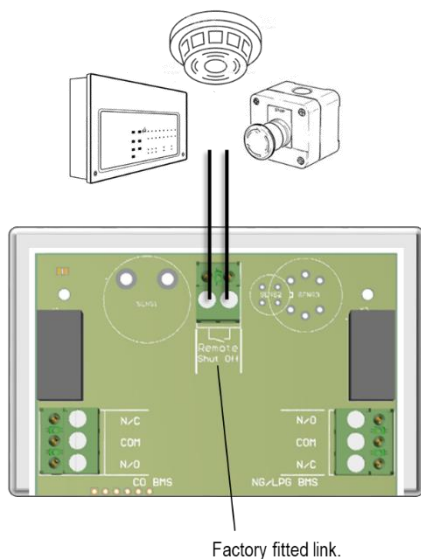
The device can be used to directly shut the pilot of a water heater in an alarm or power failure state using a product from Field Controls. The BMS terminals may also be used to connect to a home alarm system.

Wiring example as shown.



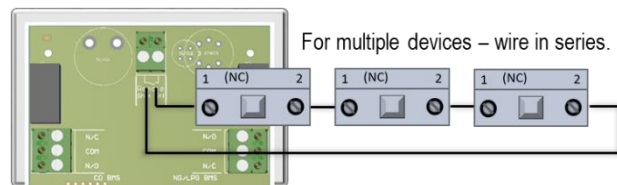
REMOTE SHUT OFF

Your mini-merlin can be integrated with remote devices with an open /close circuit via the Remote Shut-Off volt free switch terminal.



This terminal has a factory fitted link installed.

This terminal is normally closed and will alarm when energised open - isolating the gas supply.



When using this input, only the mains utility output shall de-energize. If you are using the CO or NG relay to shut down a boilers external limit circuit you will need to wire the input in series with the relay output.

Auto Reset & Buzzer



Auto Reset
Buzzer

	ON	OFF
Auto Reset	In the event of a power loss – the mini-merlin will restart automatically when power is restored.	In the event of a power loss – the mini-merlin will need to be reset manually when power is restored. This is the factory set condition .
Buzzer	The buzzer will sound every 15 seconds during pre-alarm and continuously at alarm level. This is the factory set condition .	The buzzer will not sound at any gas level.

Building Management System Integration

This device can be integrated with a Building Management System (BMS), a home alarm system, or be used as part of a boiler low voltage safety limit to make or break a circuit on both gases separately, (valve open or valve closed) depending on the system.

These switches can be used for a variety of purposes including triggering alarm contacts, operating and external relay for multiple appliance shut-down and generating status signals for a BMS system.

Specification

Product:	Mini Merlin
Version:	CH4CO
Display	1.8" TFT – Thin Film Transistor
Screen Brightness	Non- adjustable
Initial Stabilisation Time	60 Seconds approx.
Power Input Voltage	100-120Vac / 50-60Hz
Valve Output Voltage	100-120Vac / 50-60Hz
Internal Fuse Rating	Anti-Surge 3.15A 250Vac
Current Consumption	3W Max
Accuracy @ 25°C / 77°F	± <10%
Operating Temp	32 – 122°F 30-85%RH Non-Condensing
Audible Buzzer	65dB (controlled conditions @ 1 ft)
Volt Free BMS relay output	0.5A switching current (resistive load)
Wire Ratings	Min. 18AWG / 75°C min / Copper only.
Gas Sensor Type	Methane: Semi-conducting Carbon Monoxide: Electromechanical
Gas Sensor Measuring Range	Methane: 500-10,000ppm Carbon Monoxide: 0-1000ppm
Gas Value Pre-Alarm	Methane: >8% LEL Carbon Monoxide: 25ppm
Gas Value Alarm	Methane: >10% LEL Carbon Monoxide: >50ppm
Dimensions (Inch)	3.7(W) x 5.5(H) x 2.4 (D)
Weight	8.54oz Approx.
Approvals	

Operation

First Power Up



When electrical power is supplied, press and hold the Touch button, the device enters a stabilisation phase for approximately one minute – during this period the device is not operational. If the mini-merlin has been configured to 'auto reset' – your device will power up automatically when electrical power is supplied.

Reset the Device

To reset after an alarm - press the Touch button once.

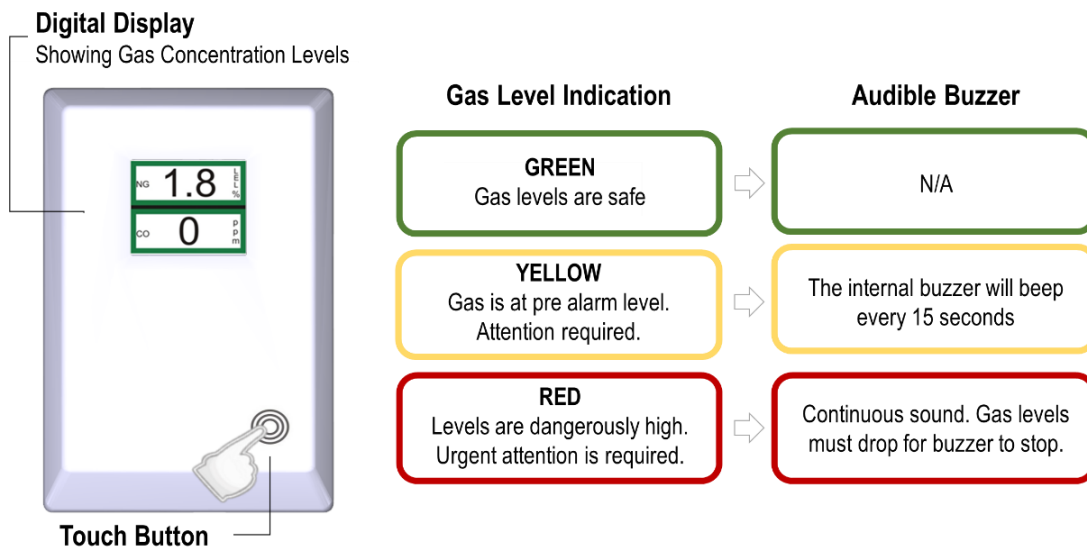
If the device enters an alarm state, the gas level indicator will remain red to alert the user that a high/dangerous level of gas has been detected, until the device is reset.

Manual Operation Test

This option gives the user the opportunity to test each output/contact in response to gas.

Press and hold the Touch button during normal operation.

Display Overview



*The user can choose whether to have the audible buzzer sound when gas levels are detected!
For more information see section 'Auto Reset & Buzzer switches'.*

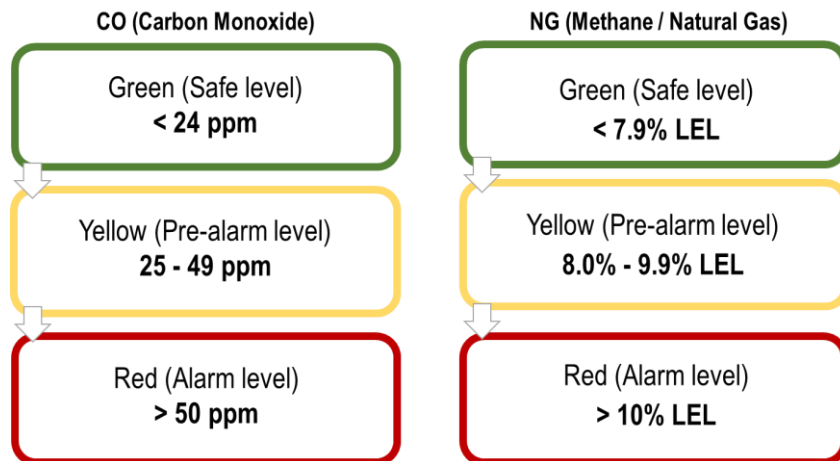
Power Off

To turn your device off, remove / isolate electrical power supply.



When power is removed manually or due to an unpredicted power failure the CO and NG BMS circuit will change state switching off boilers/appliances via a limit switch if configured to do so!

Gas Level Alarms



When alarms reach a RED status the maximum concentration level detected will be saved and the screen value will switch between the maximum (MAX) and the real time current value!



When the device has reached an alarm state, the concentration indicator will remain red even if gas levels are safe until the device is reset by pressing the Touch button once!

Remote Shut-Off Screen

Remote
Shut Off

This message will display if the device is integrated with remote shut off devices such as smoke or fire alarms etc.

When activated, the device will isolate the gas supply if configured to do so.

End of Life Screen

END
OF LIFE

This message indicates that the devices gas sensing elements have reached their expected operational lifecycle. No gas levels will be displayed.

Contact your supplier and replace the unit immediately.



The expected lifecycle may vary depending on the environmental conditions!

Maintenance & Testing

Cleaning

Keep your device in good working order - follow these basic principles;

- Remove any dust/debris from the outer enclosure regularly using a slightly damp cloth.
- Never use detergents or solvents to clean your device.
- Never spray air fresheners, hair spray, paint or other aerosols near the device.
- Never paint the device. Paint will seal vents and interfere with the device.



High concentrations of alcohol found in many products may damage, deteriorate or affect the gas sensing elements – such as; wine; deodorants; stain removers; thinners!



Other gases and substances to avoid; Corrosives (i.e. chlorine & hydrogen chloride); Alkali metals; Basic or acidic compounds; Silicones; Tetraethyl lead; Halogens and halogenated compounds!

Manual Operation Test

This option gives the user the opportunity to test each relay/output in response to gas.

When the touch button is pressed and held during normal operation the mini-merlin will simulate an open circuit to ensure all configured systems, outputs, alarms, indications and other external devices operate as intended in response to gas.

Gas Testing Overview

A detector may visually appear in good order, but its sensitivity can be inhibited by external factors such as, dust; humidity; temperature fluctuations; cleaning products; contaminants or sensor drift (ageing). All can cause a decline in sensitivity and eventual failure.

Regular 'bump' tests are important to make sure a device is able to detect a release of gas as early as possible. We recommend that gas tests are carried out at least annually from the date of installation, however the frequency should be determined following a risk assessment by the end user and in accordance with any applicable law/code.

The aim of the bump test is to make sure a gas detector is working at its optimum by briefly exposing the unit to a known concentration of the target gas. If the detector goes into alarm and all system outputs/relays activate, then it is working safely.

If the system fails to operate as intended in an alarm state, the gas detector must not be used until a full inspection and service has been conducted.

For more information on this, contact us.

Gas Sensor Types & Reaction Times

The time for gas sensors to react to their target gas will vary dependant on the type of gas detector/gas sensing element. You should always refer to the appropriate specification for information including sensor type and alarm levels i.e. electro-mechanical sensors (such as Carbon Monoxide) will react to its target gas slower than semi-conducting sensor types (such as methane, LPG and Hydrogen).

Gas Testing Kits

CGS provide a range of test gas kits traceable to appropriate standards and usually consist of:

- Certified gas cylinder / Spray.
- Flow control regulator / Control Valve
- Tube pipe / Applicator cone



All certified test gases are classified as non-flammable and non-toxic, however, they do contain gas under pressure and may explode if heated to extreme temperatures and cause asphyxiation in high concentrations.

Mini Merlin Gas Testing Procedure

Recommended** gas concentrations for testing your mini-merlin system.

Carbon Monoxide	250-500ppm balance in air.
Methane	6000-8000ppm balance in air (0.6%-0.8% BV)

***Reference should always be given to any applicable national & local law and industry codes. Generally, the gas concentration should be greater than the alarm threshold of the device.*



GAS TEST PROCEDURE

1. Ensure you have the correct gas for the device type prior to application.
2. Screw the regulator/valve into the gas cylinder outlet.
3. Once sealed, the regulator pressure gauge (if available) will indicate cylinder pressure.
4. Offer up the applicator hose/cone and apply to the top vents of the device.
5. Open the valve/regulator to allow the gas to be delivered at a pre-set flow rate.
6. Apply gas.
7. The device will enter alarm status after a short period of time.
8. The device will activate all configured outputs/relays.

At this point...

9. Remove applicator hose/ cone and turn the gas cylinder regulator/valve off.
10. Once the device has returned to normal – Reset by pressing the Touch button.
11. Test complete.
12. Record your test details. There is a provision for this in this manual.



Always remove the regulator/valve after use!

All cylinders will re-seal upon removal of the regulator/valve!

*Deviating from this test process is deemed improper and may affect the functional safety of your device!
Exposure to chemicals, smoke or any other materials other than the gases intended to be monitored can seriously damage the gas sensing elements!*

Always allow a minimum of 5 minutes before testing the same unit!

QUICK TIPS

To increase reaction time, cover the escape vents located underneath the device.

Alternatively, enclose the device and apply gas i.e. in an air tight bag or container.

Test Gas Storage & Handling

All test gases are classified as non-flammable and non-toxic, however, they do contain gas under pressure and may explode if heated to extreme temperatures and cause asphyxiation in high concentrations.

- Cylinders should be stored in a vertical position secured to prevent them falling over.
- Keep away from all sources of ignition.
- Store in well ventilated areas.
- Do not lift single cylinders by the valve device unless they are designed for that purpose.
- Ensure valve/regulators are screwed and secured tight.
- Always remove the regulator/valve after use and at the end of each working day.
- Do not remove or deface cylinder labels.

Use all equipment in accordance with the Safety Data Sheet - available on request.

Page intentionally left blank

Date	Gas Details	Pass	Sign

Installation Details

Please pass this manual to the system owner / user.

Date of Installation:	
Installation Location:	
Organisation:	
Stamp / Signature of the installer:	

Canadian Gas Safety

info@canadiangassafety.com

Telephone: 647-577-1500



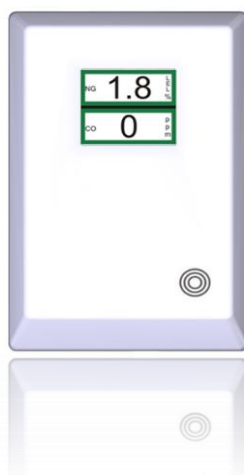
Canadian Gas Safety is the owner of this document and reserves all rights of modification without prior notice.



MINI MERLIN

CH₄CO : DOUBLE DÉTECTEUR DE GAZ

Méthane et monoxyde de carbone



Installation, fonctionnement et maintenance

Veuillez lire attentivement ce manuel et le conserver pour une utilisation ultérieure.

Votre nouveau Mini Merlin est un double capteur à gaz soigneusement conçu et testé pour surveiller les niveaux de méthane (CH₄) et de monoxyde de carbone (CO) dans l'air. S'il y a une accumulation dangereuse de gaz au niveau du capteur, ce dispositif peut couper l'alimentation en gaz via une soupape de sécurité et/ou un ou plusieurs appareils à gaz. Ce dispositif dispose de fonctions supplémentaires pour la réinitialisation des systèmes, ainsi que d'alarmes sonores et visuelles - Il peut également être intégré à un système de gestion des bâtiments (BMS).



Les informations contenues dans ce manuel doivent être référencées pour une installation et un fonctionnement typiques uniquement.

Pour les exigences spécifiques qui peuvent s'écarter des informations contenues dans ce guide, contactez votre fournisseur.

Table des matières

CONSIGNES DE SÉCURITÉ IMPORTANTES.....	3
Monoxyde de carbone gazeux - Informations générales	4
Gaz méthane - Informations générales	5
INSTALLATION.....	6
Planification	6
Emplacement et positionnement typiques	6
Montage	7
Vue d'ensemble du tableau	8
Câblage	8
Réinitialisation automatique et buzzer	11
Intégration du système de gestion des bâtiments.....	11
Spécifications.....	11
FONCTIONNEMENT	12
Première mise sous tension	12
Réinitialiser l'appareil.....	12
Test de fonctionnement manuel.....	12
Aperçu de l'affichage	12
Mise hors tension	12
Alarmes de niveau de gaz.....	13
Écran d'arrêt à distance	13
Fin de vie Écran.....	13
MAINTENANCE ET TESTS	14
Nettoyage	14
Test de fonctionnement manuel.....	14
Aperçu des tests de gaz.....	14
Types de capteurs de gaz et temps de réaction	14
Kits de test de gaz	15
Procédure de test du gaz Mini Merlin	15
Stockage et manipulation de gaz de test	16
Notes d'ingénieurs (blanc)	17
Registre des tests.....	18
Détails de l'installation	20



CONSIGNES DE SÉCURITÉ IMPORTANTES

Avant toute installation, utilisation ou maintenance, lisez attentivement ce manuel.

Les informations contenues dans ce manuel doivent être référencées pour une installation et un fonctionnement typiques uniquement.

Pour les exigences spécifiques au site qui peuvent s'écarter des informations contenues dans ce guide, contactez votre fournisseur. Si cet appareil est utilisé d'une manière non spécifiée par le fabricant, la sécurité assurée par l'appareil peut être compromise.

Cet appareil est conçu pour fonctionner uniquement à l'intérieur.

Le fusible interne ne doit être remplacé que par un fusible du même type. Fusible antisurtension 3,15 A 250 V ca 5x20.

La durée de vie prévue des éléments du capteur de gaz est de 5 ans à la mise sous tension initiale. L'appareil affichera un message pour indiquer ce moment et devra être immédiatement remplacé.

Il est recommandé de mettre cet appareil en service dès son installation et de le faire réviser chaque année.

Ne pas appliquer de gaz plus léger ou d'autres aérosols sur l'appareil - cela provoquerait des dommages extrêmes.

Les concentrations élevées d'alcool / éthanol présentes dans de nombreux produits peuvent endommager, détériorer ou affecter les éléments de détection de gaz - Évitez toute exposition à proximité de votre appareil.

Cet équipement est conçu pour détecter le monoxyde de carbone et le gaz naturel SEULEMENT - quelle que soit la source de combustion.

Il n'est PAS conçu pour détecter la fumée, le feu ou d'autres gaz et ne doit PAS être utilisé comme tel.

Ce dispositif permet de détecter rapidement la présence de méthane ou de monoxyde de carbone, généralement avant qu'un adulte en bonne santé ne ressente des symptômes. Cette alerte précoce est possible à condition que votre alarme soit localisée, installée et entretenue comme décrit dans ce guide.

Cet appareil nécessite une alimentation électrique continue - il ne fonctionnera pas sans courant.

Ce dispositif ne doit pas être utilisé pour remplacer l'installation, l'utilisation et/ou l'entretien corrects des appareils à combustibles, y compris les systèmes de ventilation et d'évacuation appropriés.

Ce dispositif n'empêche pas le méthane ou le monoxyde de carbone de se produire ou de s'accumuler.

L'activation de votre alarme indique la présence de niveaux dangereux de méthane ou de CO.

Recherchez de l'air frais et contactez votre service local d'urgence en cas de fuite de gaz.

Ce dispositif peut ne pas protéger totalement les personnes souffrant de conditions médicales spécifiques.

En cas de doute, consultez un médecin.

Votre produit doit vous parvenir en parfait état, si vous pensez qu'il est endommagé, contactez votre fournisseur.

Garantie du fabricant

Couverture de la garantie : Le fabricant garantit à l'acheteur d'origine que ce produit est exempt de tout défaut de matériel et de fabrication pendant une période de deux (2) ans à compter de la date d'achat.

La responsabilité du fabricant est limitée au remplacement du produit par un produit réparé, à la discrétion du fabricant. Cette garantie est nulle si le produit a été endommagé par un accident, une utilisation déraisonnable, une négligence, une altération ou d'autres causes ne résultant pas d'un défaut de matériau ou de fabrication.

Cette garantie s'étend uniquement au premier acheteur consommateur du produit.

Avis de non-responsabilité : Toutes les garanties implicites découlant de cette vente, y compris, mais sans s'y limiter, les garanties implicites de description, de qualité marchande et de finalité opérationnelle prévue, sont limitées dans le temps à la période de garantie ci-dessus. En aucun cas, le fabricant ne peut être tenu responsable de la perte d'utilisation de ce produit ou de tout dommage indirect, spécial, accessoire ou consécutif, ou des coûts ou dépenses encourus par le consommateur ou tout autre utilisateur de ce produit, que ce soit en raison d'une rupture de contrat, d'une négligence, d'une responsabilité stricte en matière délictuelle ou autre. Le fabricant n'est pas responsable des dommages corporels, des dommages matériels ou de tout dommage spécial, accessoire, éventuel ou consécutif de quelque nature que ce soit résultant d'une fuite de gaz, d'un incendie ou d'une explosion. Cette garantie n'affecte pas vos droits légaux.

Performance : Pendant la période de garantie ci-dessus, votre produit sera remplacé par un produit comparable si le produit défectueux est renvoyé avec la preuve de la date d'achat. Le produit de remplacement restera sous garantie pour le reste de la période de garantie initiale ou pour six mois - selon la période la plus longue.



Informations sur l'élimination des déchets pour les consommateurs d'équipements électriques et électroniques.

Lorsque ce produit a atteint sa fin de vie, il doit être traité comme un déchet d'équipements électriques et électroniques (DEEE).

Les produits marqués DEEE ne doivent pas être mélangés avec les déchets ménagers généraux, mais conservés séparément pour le traitement, la récupération et le recyclage des matériaux utilisés. Veuillez contacter votre fournisseur ou votre autorité locale pour obtenir des détails sur les programmes de recyclage dans votre région.

Monoxyde de carbone gazeux - Informations générales

Le monoxyde de carbone (CO) est un gaz toxique, incolore, inodore et insipide. Bien qu'il n'ait pas d'odeur détectable, le CO est souvent mélangé à d'autres gaz qui ont une odeur. Ainsi, vous pouvez inhaler du monoxyde de carbone en même temps que des gaz que vous pouvez sentir sans reconnaître la présence de CO.

SYMPTÔMES D'UN EMPOISONNEMENT AU MONOXYDE DE CARBONE

Les symptômes suivants sont liés à une intoxication au CO et doivent être discutés avec tous les membres du ménage, de l'établissement ou de la ou des personnes qui fréquentent les zones surveillées.

Exposition légère : Légers maux de tête, nausées, vomissements, fatigue, symptômes grippaux.

Exposition moyenne : Graves maux de tête, somnolence, confusion, accélération du rythme cardiaque.

Exposition extrême : Inconscience, convulsions, insuffisance cardio-respiratoire, décès.

Si vous ressentez des symptômes d'exposition, même légers, consultez immédiatement un médecin.

NIVEAUX DE MONOXYDE DE CARBONE

Cet appareil est équipé d'un écran numérique qui affiche les niveaux de CO en PPM (parties par million).

Niveaux dangereux : Généralement au-dessus de 100 ppm. Cette situation doit être traitée comme une urgence.

Niveaux moyens : Généralement entre 50 ppm et 100 ppm. Cela devrait être une source d'inquiétude et ne devrait pas être ignoré ou rejeté.

Faibles niveaux : Le niveau maximal acceptable de CO à l'intérieur des bâtiments est <9 ppm. Tout ce qui dépasse ce niveau peut entraîner des effets possibles sur la santé en cas d'exposition à long terme.

Consultez le tableau des spécifications pour savoir comment votre appareil surveille le monoxyde de carbone.

SOURCES POSSIBLES DE MONOXYDE DE CARBONE

À l'intérieur de votre maison ou de votre établissement, les appareils à gaz utilisés pour le chauffage, la production d'eau chaude et la cuisine sont les sources les plus probables de CO. Les véhicules circulant dans des garages attenants peuvent également produire des niveaux dangereux de CO.

Le CO peut être produit lors de la combustion de n'importe quel combustible fossile, comme l'essence, le propane, le gaz naturel, le pétrole et le bois. Il peut être produit dans tout appareil à combustion qui fonctionne mal, qui est mal installé ou insuffisamment ventilé.

- Automobiles, poêles à gaz, chauffe-eau, chauffages portables à combustible, cheminées.
- Cheminées ou conduits bloqués, tuyaux d'évacuation corrodés ou déconnectés.
- Véhicules et autres moteurs à combustion fonctionnant dans des espaces ouverts ou confinés.
- Brûler du charbon de bois ou du combustible sur des grilles dans un endroit clos ou à proximité du domicile.

Pour plus d'informations, veuillez consulter notre site web ou contacter votre distributeur local CGS.

Gaz méthane - Informations générales

Le méthane vient de la terre et de notre corps. Le méthane est non toxique et peut être exploité comme source d'énergie. Cependant, le méthane est hautement explosif et peut causer la mort par asphyxie. Il est important de comprendre comment faire face aux dangers liés au méthane.

Bien que le méthane ne soit pas toxique en soi, il peut le devenir lorsqu'il est mélangé à d'autres substances. Ce potentiel existe lorsque le gaz naturel (CH₄), qui est composé à 97 % de méthane, est brûlé dans les maisons, les bureaux et les entreprises. La combustion du gaz naturel sans ventilation adéquate peut produire du monoxyde de carbone, un gaz mortel difficile à détecter.

SYMPTÔMES DE L'EXPOSITION AU MÉTHANE

Le méthane est relativement non toxique et est associé à un simple asphyxiant qui déplace l'oxygène dans les poumons. Cependant, le méthane est extrêmement combustible.

L'exposition à des niveaux élevés de méthane peut provoquer :

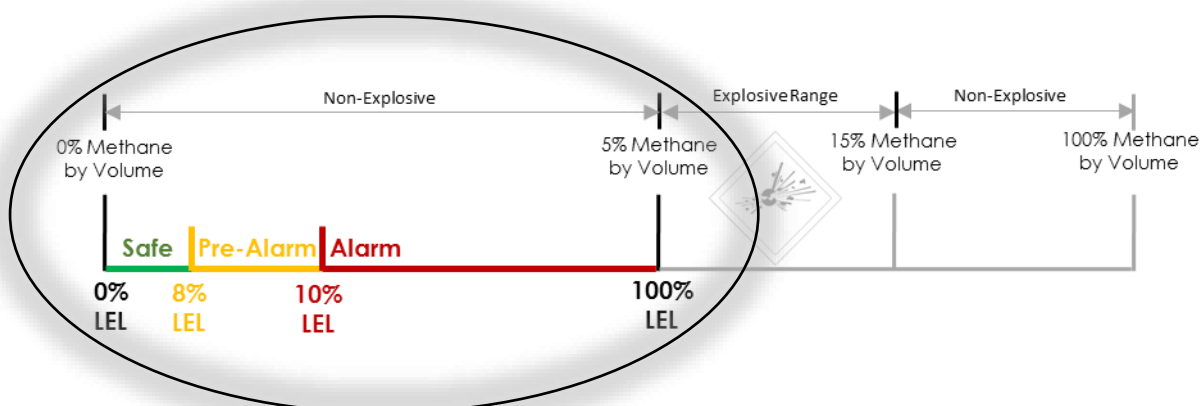
- Suffocation
- Perte de conscience
- Maux de tête et vertiges
- Nausées et vomissements
- Faiblesse
- Perte de coordination
- Augmentation du rythme respiratoire

NIVEAUX DE MÉTHANE - %

La LIE (Limite Inférieure d'Explosivité) du méthane est considérée comme étant de 5 % BV (en volume d'air).

Donc 5 % BV (en volume) représente la même chose que 100 % de la LIE (Limite inférieure d'explosivité).

Votre appareil est équipé d'un affichage numérique qui indique le niveau de gaz naturel dans la zone appelée LIE% (un pourcentage de la LIE) et qui déclenche une alarme selon le principe suivant de détection du gaz.



En termes simplifiés, un niveau de 8 % de la LIE ou moins sur votre appareil est généralement considéré comme sûr et acceptable.

Pour plus d'informations, veuillez consulter notre site web ou contacter votre distributeur local CGS.

INSTALLATION

Planification

Nos moniteurs doivent être installés dans les zones à risque de fuites de gaz, par exemple au-dessus des chaudières, des vannes ou des compteurs.

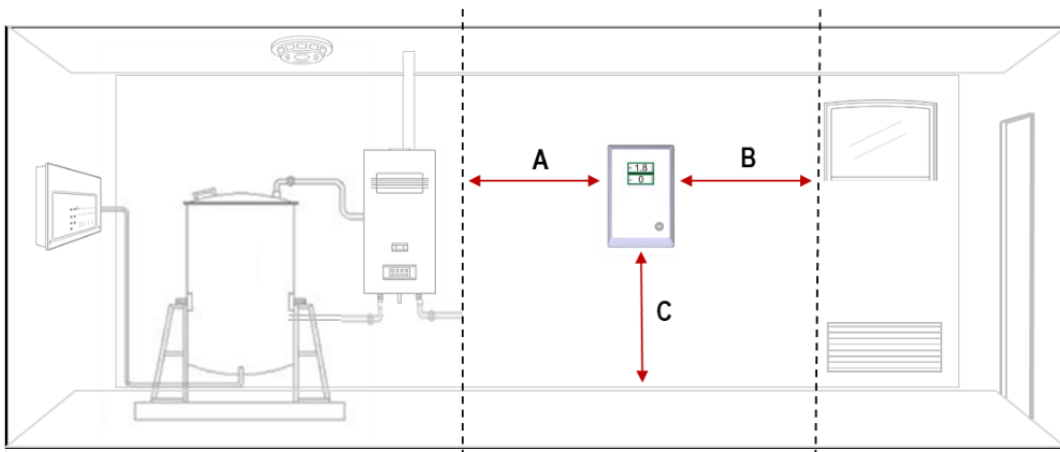
Prendre en compte la conception des flux d'air dans la zone.

Les détecteurs doivent être installés dans la bonne orientation, comme le recommande le fabricant, et la facilité d'accès doit être prise en compte pour permettre les tests de déclenchement et autres formes de maintenance.

Emplacement et positionnement typiques

Considérez la couverture requise et la fonction de la zone. L'accent doit être mis sur les modèles de flux d'air et sur le placement correct, et non sur les distances de détection perçues. Le gaz cible ne sera identifié que lorsque le contact sera établi avec l'élément de détection lui-même.

Des détecteurs multiples peuvent être nécessaires pour protéger adéquatement les biens et les personnes. Les emplacements des détecteurs varient en fonction de l'application prévue, ils doivent être situés près des sources identifiées de fuites potentielles de gaz / des poches où un gaz dangereux pourrait s'accumuler rapidement et des zones de risque indirect identifiées.



- A. À 1,80 m des sources de combustion, par exemple chaudières/chauffages/appareils à gaz, etc.
- B. À 1,20 m des zones de courant d'air et des zones de ventilation, par exemple les fenêtres, les portes et les climatiseurs, etc.
- C. À 1,50 m du sol.

Les hauteurs recommandées peuvent varier en fonction du débit d'air et des conditions de température, en plus de l'application et de l'emplacement proposés. L'appareil doit être monté près de la chaudière ou des appareils à gaz tels que les chaufferies domestiques et commerciales et les sous-sols.

Lorsque vous choisissez votre emplacement, assurez-vous que vous pouvez entendre l'alarme dans toutes les zones.

Évitez les conditions de tout autre facteur environnemental qui pourrait potentiellement entraver la précision et le fonctionnement du détecteur, comme la condensation, les vibrations, la température, la pression, la présence d'autres gaz, les interférences électromagnétiques et les zones de courant d'air.

Montage

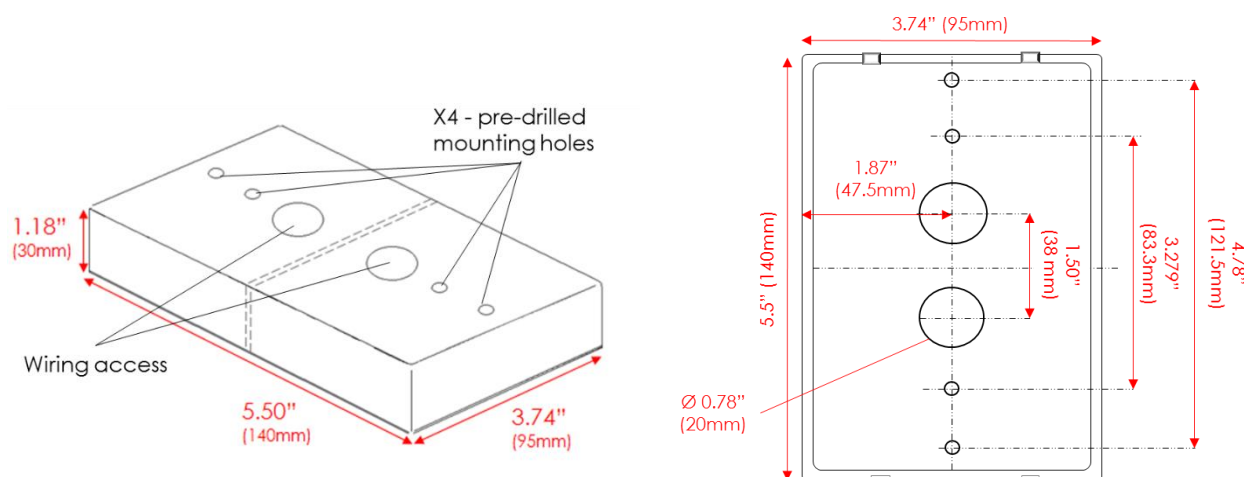
Déballez toutes les pièces !

Cet appareil est conçu pour être monté en surface ou sur un boîtier électrique à un ou deux groupes et doit être installé par un entrepreneur agréé et assuré.

Ce dispositif est doté d'un couvercle arrière à base profonde et d'un glissement à barrière pour maintenir la séparation entre les connexions haute et basse tension.

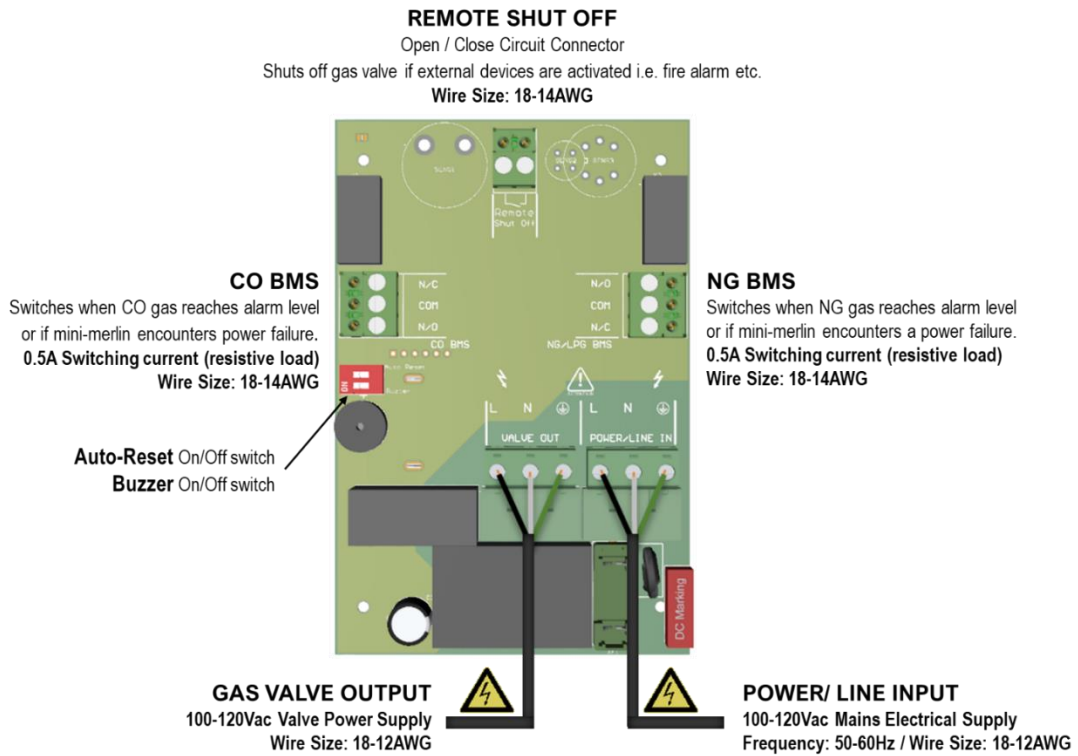
Une base encastrable est disponible - Contactez votre fournisseur pour plus d'informations.

1. Retirez soigneusement le couvercle arrière de l'appareil en dégageant les deux clips de verrouillage à l'aide d'un petit tournevis plat.
2. À l'aide du couvercle arrière, marquez les trous de vis sur le mur ou alignez-les avec le boîtier électrique. En cas de montage direct sur un mur, assurez-vous que la surface du mur est plane pour éviter la déformation de la base.
3. Il existe des zones pré-fragmentées pour l'entrée des câbles et une barrière pour séparer les connexions à basse et haute tension.
4. Le montage se fait à 1,50 m du sol et conformément à toute réglementation applicable.
5. Après avoir effectué le montage et les raccordements, fixez le couvercle arrière.



- ⚠ *Faites attention aux branchements sur des connecteurs à haute tension !*
- ⚠ *Toute tentative de retirer la carte de circuit imprimé peut annuler toute garantie !*
- ⚠ *Tout le câblage de classe 2 doit être installé dans des tubes flexibles pour maintenir la séparation entre les circuits !*
- ⚠ *Le câblage des différents circuits doit être séparé au moyen d'un routage, d'un serrage ou d'une barrière !*
- ⚠ *Tous les câbles doivent être en cuivre !*

Vue d'ensemble du tableau

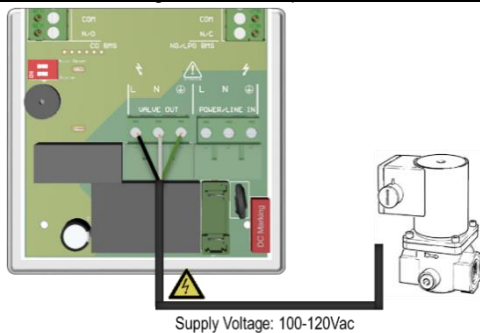


Câblage

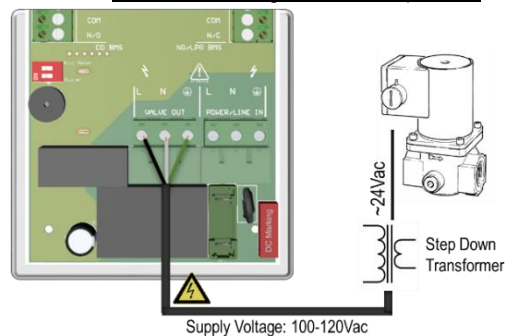
VANNE DE GAZ

Une électrovanne à gaz doit être alimentée en utilisant les bornes marquées [VALVE OUT]. Lorsque la borne de sortie est reliée à une électrovanne de gaz normalement fermée (NC), le dispositif peut être utilisé pour isoler l'alimentation en gaz de plusieurs appareils. Utilisez un transformateur externe (non fourni) pour fermer une électrovanne de gaz 24 V CA qui pourrait alimenter en gaz un ou plusieurs appareils.

Alimentation en gaz contrôlée par une électrovanne 100-120 V CA



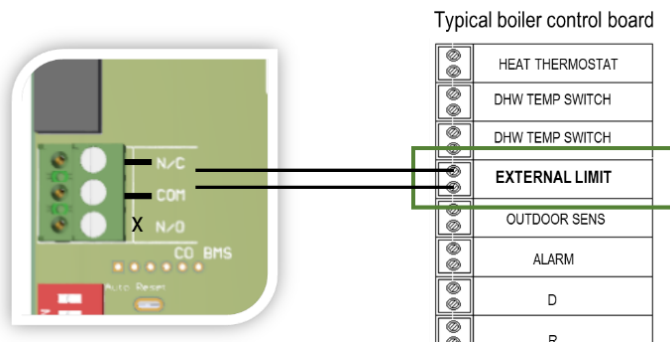
Alimentation en gaz contrôlée par une électrovanne 24 V CA



Nous ne recommandons pas l'installation d'une électrovanne à gaz avec des pilotes maintenus à la verticale !

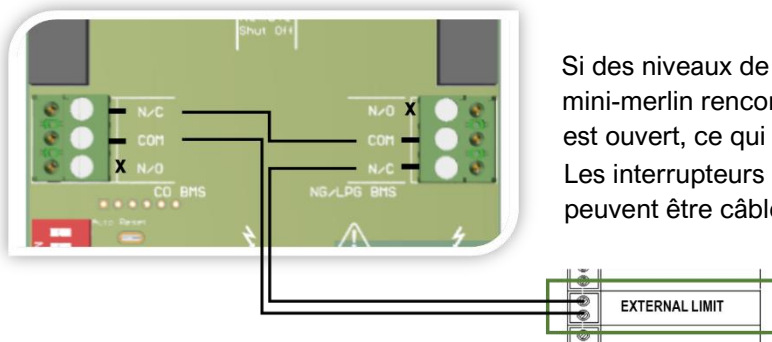
Si vous utilisez une électrovanne à gaz, veuillez noter que les pilotes permanents devront être rallumés !

CIRCUIT LIMITE DE L'APPAREIL



Le dispositif peut être utilisé pour arrêter directement un appareil à gaz lorsqu'une condition de défaut est détectée (fuite de gaz) en câblant les bornes d'un BMS dans le circuit limite de sécurité basse tension de l'appareil.

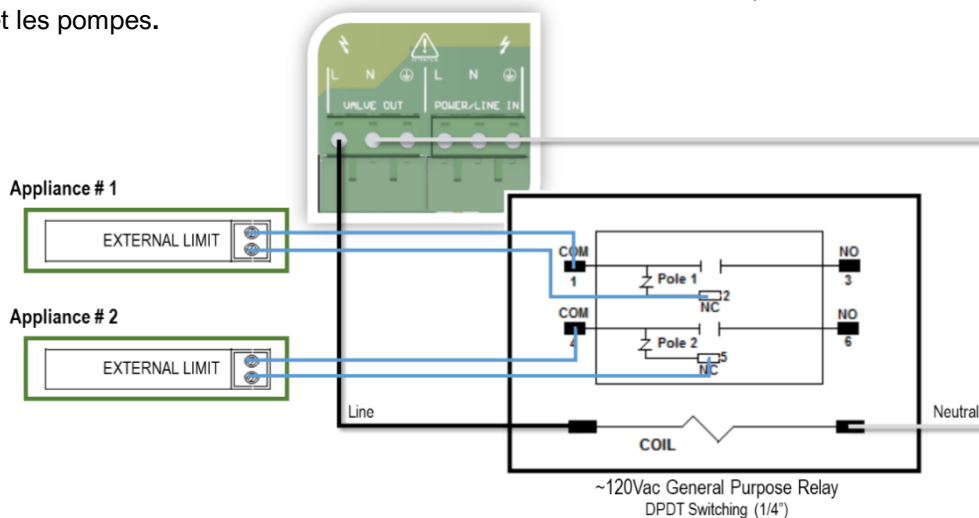
Pour connecter les deux BMS au circuit limite de sécurité d'un appareil - câblage en série.



Si des niveaux de gaz dangereux sont détectés ou si le mini-merlin rencontre une panne de courant, le circuit est ouvert, ce qui désactive l'appareil. Les interrupteurs de fin de course de plusieurs appareils peuvent être câblés en série.

SORTIES ADAPTABLES

Le mini-merlin peut être utilisé pour actionner des relais et des contacteurs externes afin de désactiver plusieurs appareils lorsqu'une condition de défaut est détectée. Les relais multipolaires peuvent interrompre l'alimentation des circuits électriques contrôlant la chaudière, les vannes et les pompes.

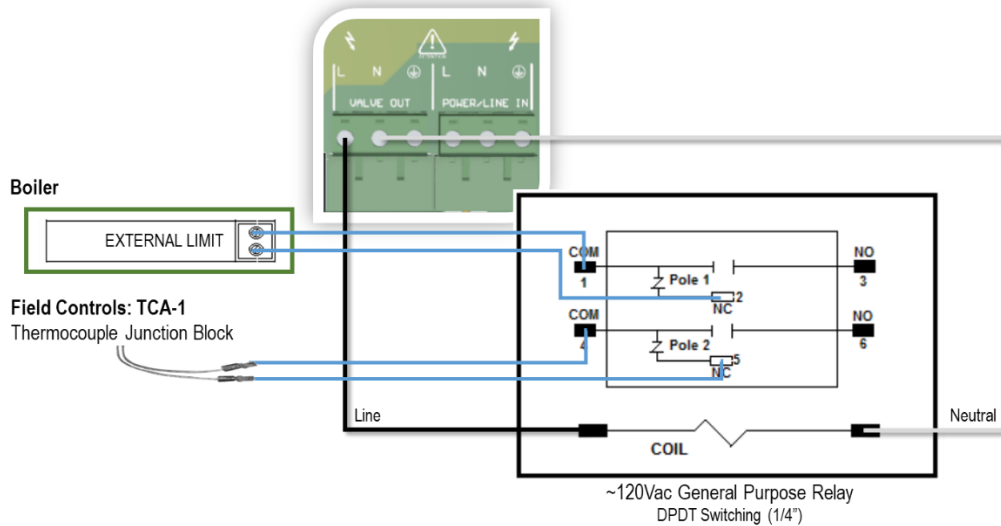


Le câblage basse tension doit être inséré dans le circuit limite externe d'un appareil à gaz. Le schéma montre une bobine primaire de 120 V CA à usage général avec deux ensembles d'interrupteurs, chacun avec Contacts normalement ouverts (NO) et normalement fermés (NC). Ces contacts sont classés jusqu'à 12A AFL. Ils peuvent être utilisés pour couper un circuit de limitation de tension basse ou de ligne ou pour couper complètement l'alimentation d'un appareil.

CHAUFFE-EAU PILOTE ET LIMITEUR DE CHAUDIÈRE

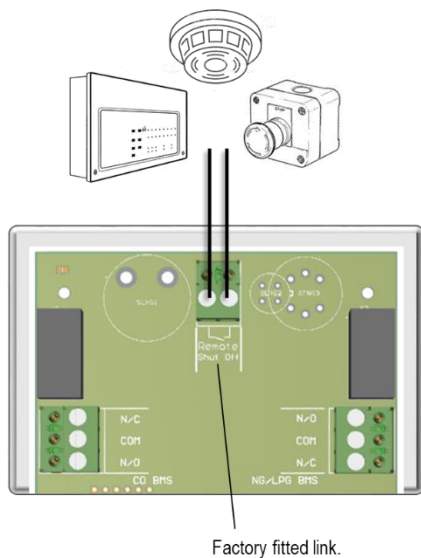
Le dispositif peut être utilisé pour fermer directement le pilote d'un chauffe-eau en cas d'alarme ou de panne de courant en utilisant un produit de Field Controls. Les terminaux BMS peuvent également être utilisés pour se connecter à un système d'alarme domestique.

Exemple de câblage tel que présenté.

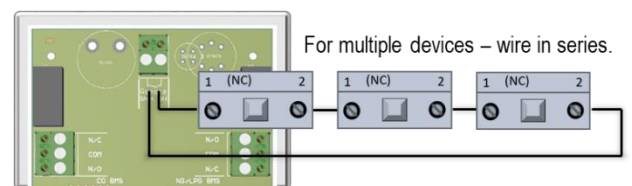


ARRÊT À DISTANCE

Votre mini-merlin peut être intégré à des appareils à distance avec un circuit d'ouverture/fermeture via la borne d'interrupteur sans tension « Remote Shut-Off ».



Ce terminal est équipé d'une liaison installée en usine.
Ce terminal est normalement fermé et s'alarme lorsqu'il est ouvert sous tension, ce qui isole l'approvisionnement en gaz.



Lors de l'utilisation de cette entrée, seule la sortie du réseau électrique doit être mise hors tension. Si vous utilisez le relais CO ou NG pour couper le circuit limite externe d'une chaudière, vous devrez câbler l'entrée en série avec la sortie du relais.

Réinitialisation automatique et buzzer



Auto Reset

Buzzer

	ON	OFF
Réinitialisation automatique	En cas de coupure de courant, le mini-merlin redémarre automatiquement lorsque le courant est rétabli.	En cas de coupure de courant - le mini-merlin devra être réinitialisé manuellement lorsque le courant sera rétabli. C'est la condition fixée par l'usine .
Buzzer	Le buzzer sonnera toutes les 15 secondes pendant la préalarme et continuellement au niveau de l'alarme. C'est la condition fixée par l'usine .	Le buzzer ne sonnera à aucun niveau de gaz.

Intégration du système de gestion des bâtiments

Ce dispositif peut être intégré à un système de gestion des bâtiments (BMS), à un système d'alarme domestique, ou être utilisé dans le cadre d'une limite de sécurité basse tension de chaudière pour établir ou couper un circuit sur les deux gaz séparément, (vanne ouverte ou vanne fermée) selon le système.

Ces interrupteurs peuvent être utilisés à des fins diverses, notamment pour déclencher des contacts d'alarme, faire fonctionner un relais externe pour l'arrêt de plusieurs appareils et générer des signaux d'état pour un système de gestion des bâtiments.

Spécifications

Produit :	Mini Merlin
Version :	CH4CO
Affichage	1,8" TFT - Transistor pour film mince
Luminosité de l'écran	Non réglable
Temps de stabilisation initial	60 secondes environ
Tension d'entrée	100-120 V ca / 50-60 Hz
Tension de sortie de la vanne	100-120 V ca / 50-60 Hz
Classement des fusibles internes	Anti-surtension 3,15 A 250 V ca
Consommation actuelle	3 W Max
Précision @ 25 °C / 77 °F	± <10 %
Température de fonctionnement	32 - 122 °F 30-85 % HR sans condensation
Buzzer audible	65 dB (conditions contrôlées à 0,30 m)
Sortie de relais BMS sans tension	0,5 A Courant de commutation (charge résistive)
Catégorie des fils	Min. 18AWG / 75 °C min / Cuivre seulement.
Type de capteur de gaz	Méthane : Semi-conducteur Monoxyde de carbone : Électromécanique
Gamme de mesure des capteurs de gaz	Méthane : 500-10 000 ppm Monoxyde de carbone : 0-1000 ppm
Préalarme sur la valeur du gaz	Méthane : >8 % LIE Monoxyde de carbone : 25 ppm
Alarme sur la valeur du gaz	Méthane : >10 % LIE Monoxyde de carbone : >50 ppm
Dimensions (en pouces)	3,7 (L) x 5,5 (H) x 2,4 (D)
Poids	Environ 240 g

FONCTIONNEMENT

Première mise sous tension



Lorsque du courant électrique est présent, appuyez et maintenez le bouton tactile, l'appareil entre dans une phase de stabilisation pendant environ une minute - pendant cette période, l'appareil n'est pas opérationnel. Si le mini-merlin a été configuré pour une « réinitialisation automatique », votre appareil s'allumera automatiquement lorsqu'il sera alimenté en électricité.

Réinitialiser l'appareil

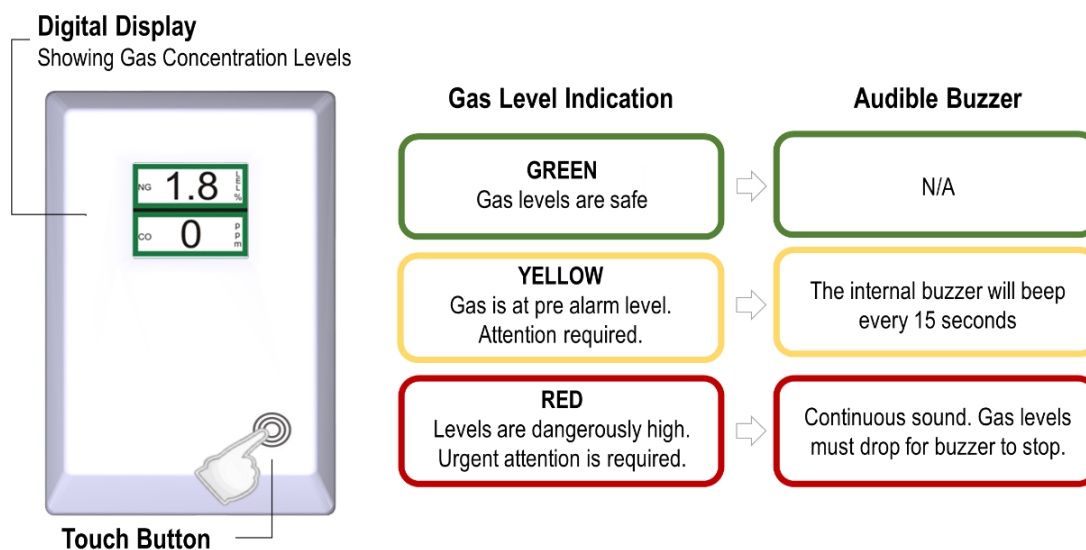
Pour réinitialiser après une alarme, appuyez une fois sur le bouton tactile.

Si l'appareil entre en état d'alarme, l'indicateur de niveau de gaz reste rouge pour alerter l'utilisateur qu'un niveau de gaz élevé/dangereux a été détecté, jusqu'à ce que l'appareil soit réinitialisé.

Test de fonctionnement manuel

Cette option donne à l'utilisateur la possibilité de tester chaque sortie/contact en réponse au gaz. Appuyez sur le bouton tactile et maintenez-le enfoncé pendant le fonctionnement normal.

Aperçu de l'affichage



*L'utilisateur peut choisir de faire retentir le buzzer audible lorsque des niveaux de gaz sont détectés !
Pour plus d'informations, voir la section « Réinitialisation automatique et interrupteurs de sonnerie ».*

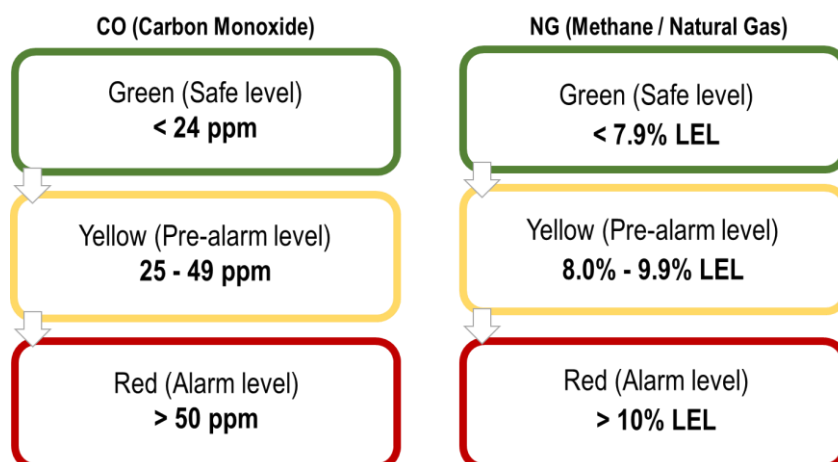
Mise hors tension

Pour éteindre votre appareil, débranchez / isolez l'alimentation électrique.



Lorsque le courant est coupé manuellement ou en raison d'une panne de courant imprévue, le circuit BMS du CO et du GN change d'état en coupant les chaudières/appareils par un interrupteur de fin de course s'il est configuré pour le faire !

Alarmes de niveau de gaz



Lorsque les alarmes atteindront le statut **ROUGE**, le niveau de concentration maximum détecté sera enregistré et la valeur de l'écran passera du maximum (MAX) à la valeur actuelle en temps réel !



Lorsque l'appareil a atteint un état d'alarme, l'indicateur de concentration reste rouge même si les niveaux de gaz sont sûrs jusqu'à ce que l'appareil soit réinitialisé en appuyant une fois sur le bouton tactile !

Écran d'arrêt à distance

Remote
Shut Off

Ce message s'affiche si l'appareil est intégré à des dispositifs d'arrêt à distance tels que des détecteurs de fumée ou d'incendie, etc.

Lorsqu'il est activé, l'appareil isole l'alimentation en gaz s'il est configuré pour le faire.

Fin de vie Écran

END
OF LIFE

Ce message indique que les éléments de détection de gaz du dispositif ont atteint leur cycle de vie opérationnel prévu. Aucun niveau de gaz ne sera affiché.

Contactez votre fournisseur et remplacez l'appareil immédiatement.



Le cycle de vie prévu peut varier en fonction des conditions environnementales!

MAINTENANCE ET TESTS

Nettoyage

Maintenez votre appareil en bon état de fonctionnement - suivez ces principes de base ;

- Retirez régulièrement les poussières/débris de l'enceinte extérieure à l'aide d'un chiffon légèrement humide.
- Ne jamais utiliser de détergents ou de solvants pour nettoyer votre appareil.
- Ne jamais vaporiser de désodorisant, de la laque pour cheveux, de la peinture ou d'autres aérosols à proximité de l'appareil.
- Ne jamais peindre l'appareil. La peinture va sceller les orifices de ventilation et interférer avec l'appareil.



Les concentrations élevées d'alcool présentes dans de nombreux produits peuvent endommager, détériorer ou affecter les éléments de détection des gaz - tels que le vin, les déodorants, les détachants, les diluants !



Autres gaz et substances à éviter ; Corrosifs (c'est-à-dire chlore et chlorure d'hydrogène) ; Métaux alcalins ; Composés basiques ou acides ; Silicones ; Plomb tétraéthyle ; Halogènes et composés halogénés !

Test de fonctionnement manuel

Cette option donne à l'utilisateur la possibilité de tester chaque relais/sortie en réponse au gaz.

Lorsque le bouton tactile est maintenu enfoncé pendant le fonctionnement normal, le mini-merlin simule un circuit ouvert pour garantir que tous les systèmes, sorties, alarmes, indications et autres dispositifs externes configurés fonctionnent comme prévu en réponse au gaz.

Aperçu des tests de gaz

Un détecteur peut paraître visuellement en bon état, mais sa sensibilité peut être inhibée par des facteurs externes tels que la poussière, l'humidité, les fluctuations de température, les produits de nettoyage, les contaminants ou la dérive du capteur (vieillesse). Tout cela peut entraîner une diminution de la sensibilité et un échec éventuel.

Des tests de déclenchement réguliers sont importants pour s'assurer qu'un appareil est capable de détecter un dégagement de gaz le plus tôt possible. Nous recommandons que des tests de gaz soient effectués au moins une fois par an à partir de la date d'installation, mais la fréquence devrait être déterminée après une évaluation des risques par l'utilisateur final et conformément à toute loi/code applicable. Le but du test de déclenchement est de s'assurer qu'un détecteur de gaz fonctionne de manière optimale en exposant brièvement l'appareil à une concentration connue du gaz cible. Si le détecteur déclenche une alarme et que toutes les sorties/ relais du système s'activent, c'est qu'il fonctionne en toute sécurité.

Si le système ne fonctionne pas comme prévu dans un état d'alarme, le détecteur de gaz ne doit pas être utilisé avant qu'une inspection et un entretien complets n'aient été effectués.

Pour plus d'informations à ce sujet, contactez-nous.

Types de capteurs de gaz et temps de réaction

Le temps de réaction des capteurs de gaz à leur gaz cible varie selon le type de détecteur de gaz/élément de détection de gaz. Vous devez toujours vous référer à la spécification appropriée pour obtenir des informations, notamment sur le type de capteur et les niveaux d'alarme, c'est-à-dire que les capteurs électromécaniques (tels que le monoxyde de carbone) réagiront au gaz cible plus lentement que les types de capteurs semi-conducteurs (tels que le méthane, le GPL et l'hydrogène).

Kits de test de gaz

CGS fournit une gamme de kits de gaz de tests traçables aux normes appropriées et se compose généralement de :

- Pulvérisateur/Bouteille de gaz certifiée.
- Régulateur de débit / Vanne de régulation
- Tube / Cône applicateur



Tous les gaz de test certifiés sont classés comme ininflammables et non toxiques. Cependant, ils contiennent du gaz sous pression et peuvent exploser s'ils sont chauffés à des températures extrêmes et provoquer l'asphyxie à des concentrations élevées.

Procédure de test du gaz Mini Merlin

Concentrations de gaz recommandées** pour tester votre système mini-merlin.

Monoxyde de carbone	250-500 ppm, équilibre dans l'air.
Méthane	6000-8000 ppm, équilibre dans l'air (0,6 %-0,8 % BV)

***Il convient de toujours se référer aux lois nationales et locales applicables et aux codes industriels. En général, la concentration de gaz doit être supérieure au seuil d'alarme de l'appareil.*



PROCÉDURE DE TEST DES GAZ

1. Assurez-vous de disposer du gaz correct pour le type d'appareil avant de faire la demande.
2. Vissez le détendeur/la vanne dans la sortie de la bouteille de gaz.
3. Une fois scellé, le manomètre du détendeur (si disponible) indiquera la pression de la bouteille.
4. Appliquez le tuyau/cône de l'applicateur sur les orifices supérieurs de l'appareil.
5. Ouvrez la vanne/le régulateur pour permettre au gaz d'être livré à un débit préréglé.
6. Appliquez le gaz.
7. L'appareil passe en état d'alarme après une courte période.
8. Le dispositif activera toutes les sorties/relais configurés.

À ce stade..

9. Retirez le tuyau/cône de l'applicateur et fermez le détendeur/la vanne de la bouteille de gaz.
10. Une fois que l'appareil est revenu à la normale - Réinitialiser en appuyant sur le bouton tactile.
11. Test terminé.
12. Enregistrez les détails de votre test. Ce manuel contient une disposition à cet effet.



Retirez toujours le régulateur/la vanne après utilisation !

Toutes les bouteilles seront à nouveau scellées après le retrait du détendeur/valve !

Tout écart par rapport à ce processus de test est jugé inapproprié et peut affecter la sécurité fonctionnelle de votre appareil ! L'exposition à des produits chimiques, à de la fumée ou à tout autre matériau autre que les gaz à surveiller peut sérieusement endommager les éléments de détection des gaz !

Prévoyez toujours un minimum de 5 minutes avant de tester le même appareil !

CONSEILS RAPIDES

Pour augmenter le temps de réaction, couvrez les orifices d'évacuation situés sous l'appareil.

Il est également possible d'enfermer l'appareil et d'appliquer du gaz, c'est-à-dire dans un sac ou un récipient hermétique.

Stockage et manipulation de gaz de test

Tous les gaz de test sont classés comme ininflammables et non toxiques. Cependant, ils contiennent du gaz sous pression et peuvent exploser s'ils sont chauffés à des températures extrêmes et provoquer l'asphyxie à des concentrations élevées.

- Les bouteilles doivent être stockées en position verticale et sécurisées pour éviter qu'elles ne tombent.
- Tenez à l'écart de toute source d'ignition.
- Stockez dans des endroits bien ventilés.
- Ne pas soulever les bouteilles individuelles par le dispositif de soupape, sauf si elles sont conçues à cet effet.
- Veillez à ce que les vannes/régulateurs soient bien vissés et fixés.
- Retirez toujours le régulateur/la vanne après utilisation et à la fin de chaque journée de travail.
- Ne pas enlever ou dégrader les étiquettes des cylindres.

Utilisez tous les équipements conformément à la fiche de données de sécurité - disponible sur demande.

Notes des ingénieurs (page blanche)

Registre des tests

Date	Détails sur le gaz	Réussi	Validé

Détails de l'installation

Veillez transmettre ce manuel au propriétaire/utilisateur du système.

Date d'installation :	
Lieu d'installation :	
Entreprise :	
Cachet / Signature de l'installateur :	

Canadian Gas Safety

info@canadiangassafety.com

Téléphone : (647) 577-1500



Canadian Gas Safety est le propriétaire de ce document et se réserve tous les droits de modification sans préavis.