

CGSCOPS Datasheet

Carbon Monoxide ParkSafe Detector



24VDC Power Input



Used With The
ParkSafe Controller



Traffic Light
Indicator Display
Changes Color
Dependent On Gas
Levels



BMS
Communications



Modern & Compact
Design



Up To 16 Detectors
Can Be Linked Together



Plug & Play
Installation

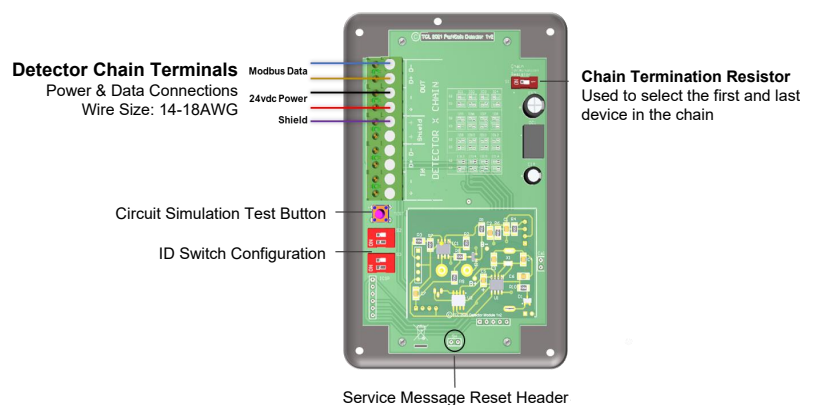


End of Operational Life
& Annual Service
Notifications to
ParkSafe Controller

Product Overview

The CGS PS range of detectors work in combination with the CGS ParkSafe, a Gas Detection & Ventilation Controller specifically designed for Parking Garage CO & NO2 monitoring. The CGSCO2PS features a electrochemical sensor for industrial and commercial indoor applications. Compact, modern, digital design makes the units aesthetically pleasing and easy to install.

Popular Applications



Technical Specification

General							
Model:	ParkSafe Detector						
Gases:	Carbon Monoxide						
Size: (H x W x D)	4.92 x 3.15 x 1.38"						
Housing Material:	ABS						
Mounting:	Wall Mounting – No limits - Non-Hazardous Areas						
Weight:	1.6oz						
User Interface							
Display:	LED						
Visual Indicators:	Power / Alarm / Fault						
Audible Alarm:	None						
Power Supply							
Power Consumption:	15mA Max @ 24Vdc						
DC Power:	12-32Vdc (24vdc Nominal)						
Internal Fuse:	N/A						
Equipment							
Pollution Degree:	2						
Equipment Class:	2						
Environmental							
Ingress Protection:	Not Formally Evaluated						
Operating:	-10 ~ 50°C / 14 ~ 122°F 30 ~ 80% RH (non-condensing)						
Storage:	-25 ~ 50°C / -13~122F° up to 95% RH (non-condensing)						
Altitude Rating:	2000m						
Wiring							
Typical	Copper 18AWG (0.75mm2) Min. 8x screw terminals.						
Other							
Communication	RS485 MODBUS RTU						
Sensor Specification							
Factory Calibration Conditions	25° ± 5°C - 77° ± 41°F (40-70% RH)						
Sensor Type	Electromechanical						
Gas Sensor	Measuring Range (ppm)	Calibration Gas	Response (T90)	Recovery (T10)	Alarm: 1 (Pre alarm warning)	Alarm: 2	*EOL (Years)
Carbon Monoxide (CO)	0-1000ppm	120ppm CO	<60s	<50s	▲25ppm	▲100ppm	5



Area of coverage

Consider the coverage required and function of the area. Emphasis should be placed on airflow patterns and correct placement, not perceived detecting ranges.

The CGSCO2PS monitor should be approximately 4-5ft from the ground level.

Find out more

Canadian Gas Safety Inc
www.canadiangassafety.com

Head office: 150 King Street West Suite 200,
Toronto, ON M5H 1J9
Tel: (647) 577-1500
Email: info@canadiangassafety.com

