

CGS Merlin Datasheet

NPT Gas Solenoid Valves
Normally Closed
0-2PSI / 0-5PSI / 120VAC



120VAC Power
Input



UL Listed



Normally Closed
Safety Shutoff



1/2" to 3" NPT
Available For This
Model
Various Other Sizes
Also Available

Standards



Product Overview

CGS gas solenoid valves control the flow of natural and LP (liquefied petroleum) gases and are most commonly used in with our range of utility controllers and gas detection systems. Popular applications are science laboratories, commercial kitchens, boiler rooms & decorative gas features.

Sizes Available

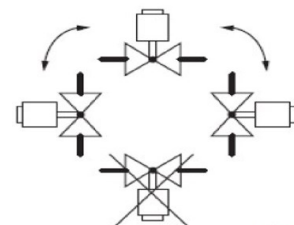
Valve Size " (inch) NPT	CGS Part Number 0-2PSI	CGS Part Number 0-5PSI
1/2"	MERLIN1015**	MERLIN1106**
3/4"	MERLIN1023	MERLIN1114
1"	MERLIN1031	MERLIN1122
1+1/4"	MERLIN1049	MERLIN1130
1+1/2"	MERLIN1056	MERLIN1148
2"	MERLIN1064	MERLIN1155
2 1/2"	MERLIN1072	N/A
3"	MERLIN1080	N/A

**Not to be used with the gas pressure transducer

Approvals

UL YLOZ Automatic Shut Off Valves
AGA & CGS C20300014
Complies with ANSI Z21.21-CGA6.5
FM CSD-1 Acceptable

Mounting Position



WARNING

If the flow is not in the same direction of arrow, valve may not shut off.

Technical Information:

Maximum Pressure:

Voltage / Frequency	Maximum Pressure (PSI)	Pipe Size (Inch)
110/120 Vac, 50/60 Hz	2.0	1/2, 3/4, 1, 1-1/4, 1 1/2, 2, 2-1/2, 3
110/120 Vac, 50/60 Hz	5.0	1/2, 3/4, 1, 1-1/4, 1 1/2, 2

Current Draw

Pipe Size (Inch)	120Vac / 2PSI	120Vac / 5PSI
1/2"	0.160A	0.160A
3/4" & 1"	0.160A	0.200A
1-1/4"	0.340A	0.550A
1-1/2"	0.300A	0.550A
2"	0.525A	0.540A
2-1/2"	0.575A	N/A
3"	0.575A	N/A

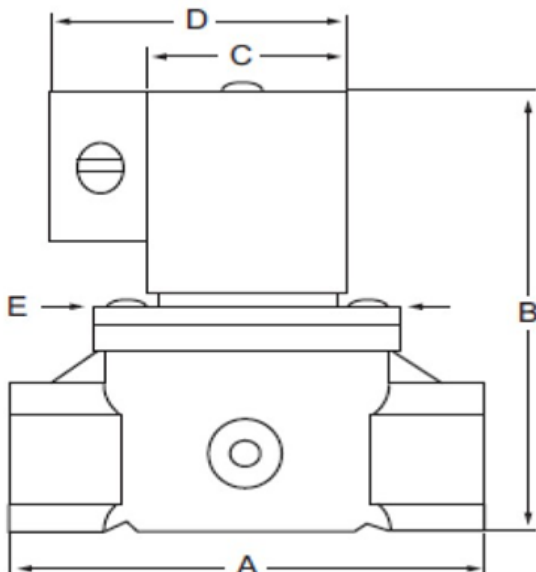
Capacity

CFH at Pressure Drop of 1-Inch Water Column sp. gr.=0.64

Pipe Size (Inch)	120Vac / 2PSI	120Vac / 5PSI
1/2"	250	290
3/4"	645	610
1"	790	825
1-1/4"	1,450	1,950
1-1/2"	2,190	2,270
2"	3,465	3,740
2-1/2"	5,070	N/A
3"	6,100	N/A

Dimensions

Pipe Size (Inch)	A	B	C	D	E
1/2"	2-7/8	4-7/16	2-3/16	3-3/4	2-3/16
3/4"	3-7/16	5-1/4	2-3/16	3-3/4	2-3/4
1"	3-15/16	5-1/4	2-3/16	3-3/4	3
1-1/4"	5-15/16	8	2-1/2	4-1/16	4-3/8
1-1/2"	5-15/16	8-3/8	3-3/8	4-15/16	4-3/8
2"	6-11/16	8-3/8	3-3/8	4-15/16	5-3/8
2-1/2"	9-1/2	12-3/4	4-9/16	6-1/8	7-7/8
3"	9-1/2	12-3/4	4-9/16	6-1/8	7-7/8



Find out more
Canadian Gas Safety Inc
www.canadiangassafety.com

Head office: 150 King Street West Suite 200,
Toronto, ON M5H 1J9
Tel: (647) 577-1500
Email: info@canadiangassafety.com

