

CGSEGOTW

Datasheet

Emergency Gas Shut Off Push Button With Twist-Reset



Product Overview

The CGS-EGOTW, multipurpose push button to be used for a wide range of applications with the CGS Merlin range of gas safety systems.

The CGS-EGOTW is a twist re-set, flush mounted button and comes with a clear protective cover to provide accidental activations.

Key Features

- ✓ Protects against vandalism, accidental damage, dust and grime
- ✓ Indoor use only
- ✓ Twist release reset
- ✓ ADA Compliant
- ✓ Various colors, text & design types available upon request

Construction

- ✓ Station housing molded of tough polycarbonate
- ✓ UL listed to U.S. and Canadian safety standards

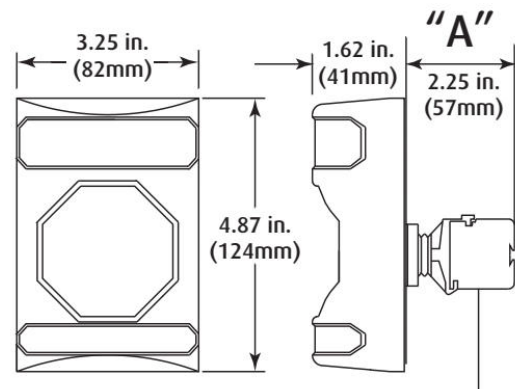
Installation

- ✓ 5VA flammability rating on back plate and spacer
- ✓ Typical working properties of polycarbonate are -40° to 250°F (-40° to 121°C)
- ✓ Polycarbonate complies with FDA regulations for food contact applications

Specification

- ✓ Two (2) Form "C" contacts, DPDT, rated 10 amps @ 125/250 VAC, 1/2 HP, 6 amps @ 30 VDC.
- ✓ Switch rating 10 amps @ 240 VAC resistive and has a timer range: 2 - 60 seconds (± 15%).
- ✓ Indoor use only. Not recommended for outdoor/water applications.
- ✓ Temperature range of button 15° to 120°F (-9° to +49°C).
- ✓ 1 N.O. and 1 N.C. contact.

Dimensions



Find out more
Canadian Gas Safety Inc
www.canadiangassafety.com

Head office: 150 King Street West Suite 200,
 Toronto, ON M5H 1J9
 Tel: (647) 577-1500
 Email: info@canadiangassafety.com

