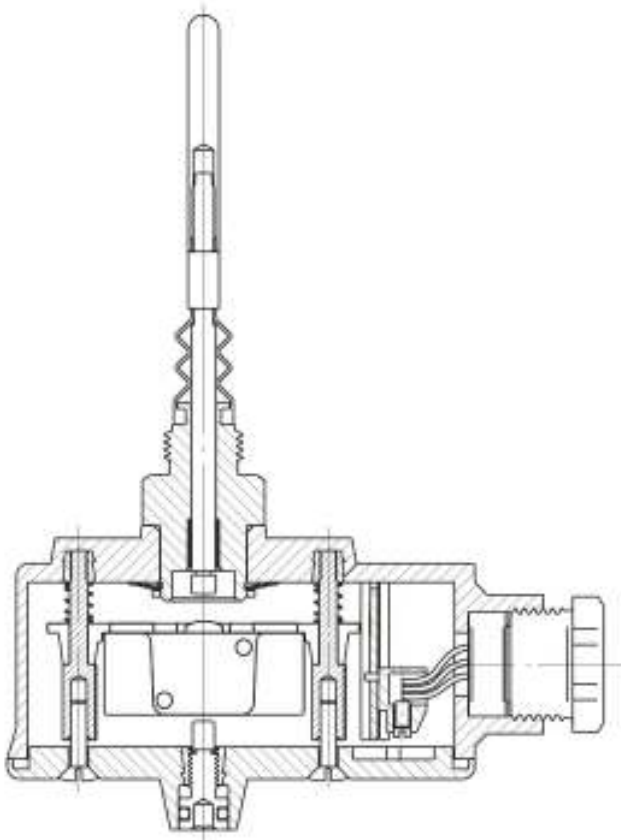


Closed Position Switch for CGS GSV Gas Solenoid Valves

INSTRUCTION SHEET



INSTALLATION

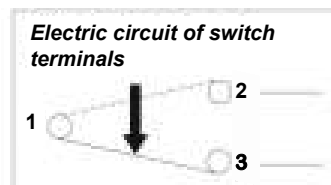
- ✓ Ensure that the right model number, corresponding with the valve body size, is applied to have proper function
- ✓ Remove the 1/4" plug at the bottom of the valve body
- ✓ Ensure that the O-ring is applied at the brass mounting nut, to have a proper sealing
- ✓ Tighten the switch at the valve body using a 0.67" wrench
- ✓ Realign the switch housing to the valve body
- ✓ Perform a leakage test, to ensure the proper sealing of the switch at the valve body

ADJUSTMENT

- ✓ Ensure that the valve is in the closed position
- ✓ Ensure that the switch is in the open position, with the contacts at the terminals 1 and 3 in open position
- ✓ Turn the adjustment screw at the bottom of the switch unit clockwise till the switch closes, with the contacts at terminal 1 and 3 in closed position
- ✓ Turn the adjustment screw an additional 1/4 turn clockwise, to achieve some over travel at the switch
- ✓ Operate the solenoid valve several times to ensure proper functioning of the switch

WIRING

Follow the instructions, supplied by the appliance manufacturer



APPLICATION

The closed position switch can be used on CGSGSV gas solenoid valves to indicate position of the valve

Type Numbers

CPI-20/25 for valve size 3/4" & 1"
 CPI-32/40 for valve sizes 1.1/4" & 1.1/2"
 CPI-50 for valve size 2"
 CPI-65/80 for valve size 2.1/2" & 3" NPT & Flanged

SPECIFICATIONS Operational voltage: 120Vac 3A
 Enclosure: IP65
 Ambient temperature: -15 to +60 Deg C

Warning

- Ensure the install is carried out by a trained person
- Turn off gas supply before starting installation
 Disconnect power supply to prevent electrical shock and/or equipment damage