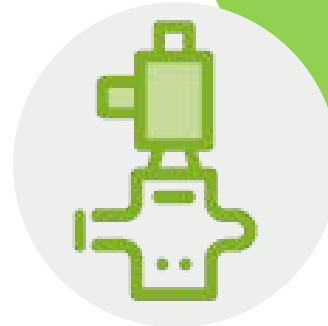


CGSGSV

NPT Gas Solenoid Valves Normally Closed Safety Shut Off



120VAC Power Input



UL Listed



Normally Closed Safety Shutoff



1/2" to 2" NPT Available For This Model
 Various Other Sizes Also Available

Standards



Product Overview

The CGS range of normally closed, electrically operated gas valves provide safety shut down over combustible gas such as natural (Methane) and LP (Liquefied petroleum).

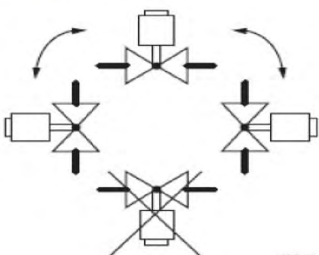
These valves are suitable for CSD-1 applications along with on/off control on water heaters, atmospheric boilers, roof top make up air units, power burners and commercial kitchen ranges.

Add manual re-set by incorporating an CGS control or panic button.

Features

- Zero Differential
- 0-5 PSI Max Working Pressure
- 110V AC
- 1/4" Inlet & Outlet Ports
- Visual Power Indication
- Body: Die Cast Aluminum
- Max Temp: 140F
- Min Temp: 5F

Mounting Position



Metal shoe construction of the diaphragm allows for vertical installation, with less damage from debris and over pressure.



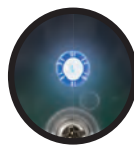
WARNING

If the flow is not in the same direction of arrow, valve may not shut off.

Sizes Available

Valve Size " (inch) NPT	CGS Part Number 0-5PSI
1/2"	CGS-GSV12
3/4"	CGS-GSV34
1"	CGS-GSV1
1+1/4"	CGS-GSV114
1+1/2"	CGS-GSV112
2"	CGS-GSV2

Power LED Indicator



Blue LED indicates valve is receiving control voltage and should be in the open position.



Approvals

UL YLOZ Automatic Shut Off Valves
 File MH64653
 Complies with:
 AGA
 CSA/ANSI Z21.21-CGA6.5 FM
 CSD-1 Acceptable



Technical Information:

Current Draw

Pipe Size (Inch)	110Vac / 5PSI
1/2" - 3/4" - 1"	0.160A
1+1/4"	0.160A
1+1/2"	0.35A
2"	0.41A

Capacity

CFH at Pressure Drop of 1-Inch Water Column.

Size	M3/per/Hr	CFH	BTU/hr
0-5PSI			
1/2"	6.4	226	226,014
3/4"	14.8	523	522,657
1"	16.7	590	589,755
1+1/4"	38.5	1,360	1,369,615
1+1/2"	47.1	1,663	1,663,320
2"	66.7	2,355	2,355,488

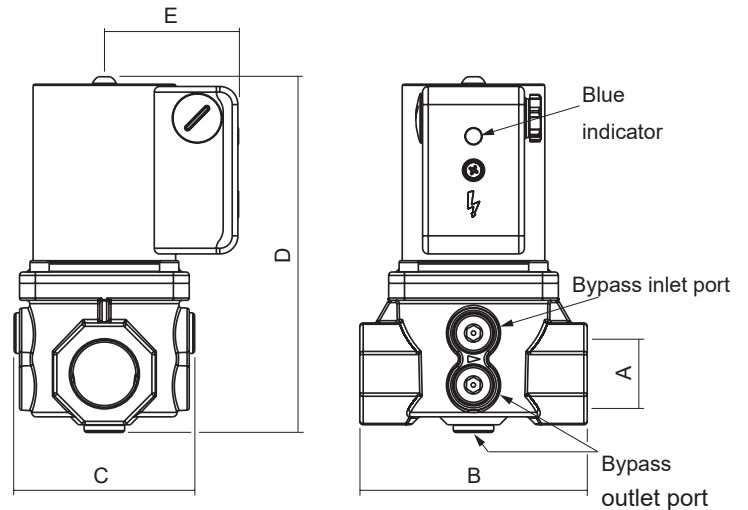
Product Comparison Chart

Size	CGS	Honeywell	ASCO	
1/2"	CGS-GSV12	V4295A 1015 V4295A 1106 V8295S 1016*	8040 G022 8215 G020* 8210 G094*	
3/4"	CGS-GSV34	V4295A 1023 V4295A 1114 V8295A 1023*	8040 G030 8040 G023 8214 235 8043 C045*	8215 G030* 8215 G095* 8043 B037**
1"	CGS-GSV1	V4295A 1031 V4295A 1122 V8295S 1032*	8040 C004 8215 250 8210 B050 8040 B0487**	
1+1/4"	CGS-GSV114	V4295A 1049 V4295A 1130 V8295S 1040*	8040 C005 8215 C045* 8210 260	8040 B060 8043B057**
1+1/2"	CGS-GSV112	V4295A 1049 V4295A 1148 V8295S 1056	8214 270 8042 C066* 8215 B075* 8043 B067**	
2"	CGS-GSV2	V4295A 1056 V4295A 1155	8214 280 8215 B080 8042 C075* 8043 A077**	

*Check pressure and voltage requirements before ordering

**Provide with CGS CPI switch for proof of closure

Dimensions



Size (Inch)	A	B	C	D	E
1/2"	1/2"	3.62"	3.00"	6.14"	2.32"
3/4"	3/4"	3.62"	3.00"	6.14"	2.32"
1"	1"	3.94"	3.15"	6.22"	2.32"
1-1/4"	1-1/4"	5.87"	4.53"	8.50"	2.80"
1-1/2"	1-1/2"	5.87"	4.53"	8.50"	2.80"
2"	2"	6.69"	5.59"	9.06"	3.00"



CGS-GSV



Honeywell V4295A



ASCO 8040

Find out more
Canadian Gas Safety Inc
www.canadiangassafety.com

Head office: 150 King Street West Suite 200,
 Toronto, ON M5H 1J9
 Tel: (647) 577-1500
 Email: info@canadiangassafety.com

