

CGSENCFM

Datasheet

Flush Mount Solenoid Valve Enclosures



Product Overview

Designed for general purpose indoor commercial use to enclose mechanical valves such as solenoid valves & ball valves. The hinged cover with latch provides easy access during installation and maintenance.

Standards



IEC 60529, IP20

Construction

- ✓ Three piece assembly consisting of a base, wrapped and door.
- ✓ Components are attached and secured with metal screws.
- ✓ 14 gauge reverse formed base provides clearance for mounting hardware.
- ✓ Punched for left or right hinging of the door and ease of assembly.
- ✓ Wrapper is formed from 16 gauge steel, with no knock-outs in the sides.
- ✓ Flush mounting door assembly formed from 16 gauge steel.
- ✓ Door is fastened with a slotted quarter turn latch,
- ✓ A bonding stud is provided on the door and a grounding screw is provided in the enclosure.

Finish

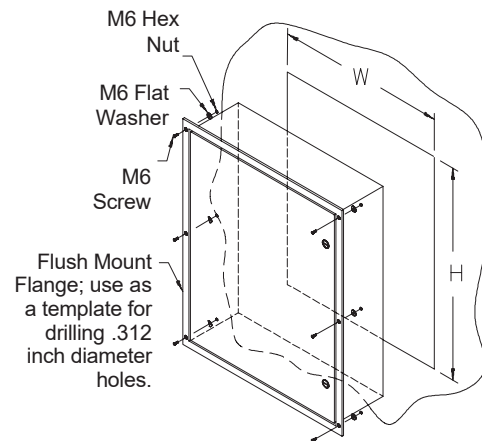
- ✓ Base, wrapped and door are finished in ANSI 61 gray powder coating

Installation

Step 1: Base, wrapped and door are finished in ANSI 61 gray powder coating

Step 2: Drill four (or six) .312inch diameter holes in mounting surface. Use enclosure as the template to determine number of holes required and drilling locations.

Step 3: Fasten flush mount enclosure to mounting surface using M6 screws, flat washers, and hex nuts as shown.



Part Code	Height ± .25	Width ± .25	Depth ± .25
CGSENC12104FM	12inch	10inch	4inch
CGSENC12126FM	12inch	12inch	6inch
CGSENC16126FM	16inch	12inch	6inch
CGSENC20206FM	20inch	20inch	6inch
CGSENC24208FM	24inch	20inch	8inch
CGSENC24248FM	24inch	24inch	8inch
CGSENC30248FM	30inch	24inch	8inch

Find out more
Canadian Gas Safety Inc
www.canadiangassafety.com

Head office: 150 King Street West Suite 200,
 Toronto, ON M5H 1J9
 Tel: (647) 577-1500
 Email: info@canadiangassafety.com

