

CGSRTFT Datasheet

Refrigerant Gas Detector



**24VAC or DC
Power Input**



**Standalone
Detector or
Used with an
CGS Controller**



**Traffic Light
Indicator Display
Changes Color
Dependent On Gas
Levels**



**MODBUS
Communications**



**Modern & Compact
Design**



**Alarm Relay
Dry Contact**



**Plug & Play
Installation**



**In-Built
Audible Alarm**

Product Overview

The TFT range of CGS detectors work in combination with the CGS Merlin range of Gas Detection panels and Utility Controllers. The CGSRTFT features an NDIR sensor for industrial and commercial indoor applications. Compact, modern, digital design makes the units aesthetically pleasing and easy to install.

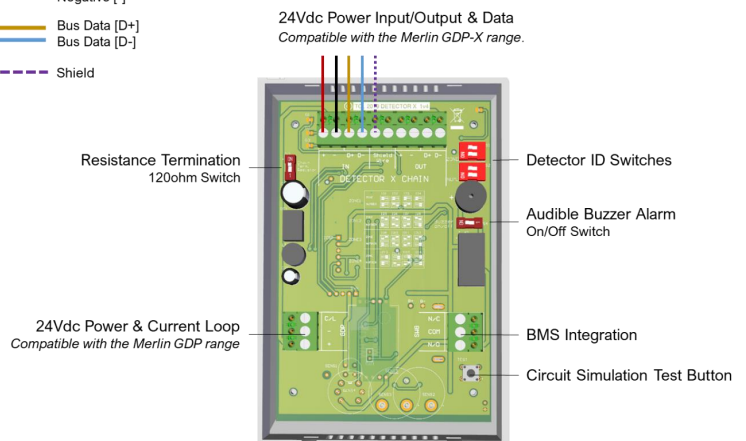
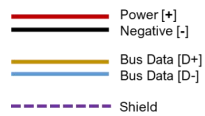
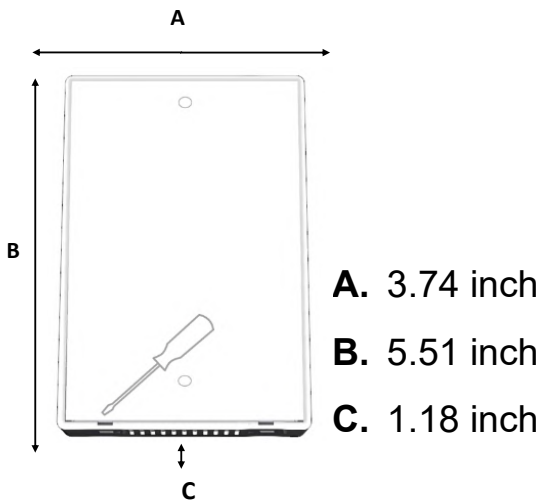
Detectable Gases and Part Numbers

| GAS | Model# | Pre Alarm (PPM) | High Alarm (PPM) | Mounting Height |
|----------|------------------|-----------------|------------------|-----------------|
| R-1233zd | RTFT-PRO-1233ZD | 75 | 1000 | 1ft A.F.F. |
| R-1234yf | RTFT-LITE-1234YF | 175 | 1000 | 1ft A.F.F. |
| R-1234ze | RTFT-LITE-1234ZE | 175 | 1000 | 1ft A.F.F. |
| R-123 | RTFT-PRO-123 | | 50 | 1ft A.F.F. |
| R-125 | RTFT-PRO-125 | 75 | 1000 | 1ft A.F.F. |
| R-134a | RTFT-LITE-134A | 175 | 1000 | 1ft A.F.F. |
| R-143a | RTFT-PRO-143A | 75 | 1000 | 1ft A.F.F. |
| R-227ea | RTFT-PRO-227EA | 75 | 1000 | 1ft A.F.F. |
| R-22 | RTFT-PRO-22 | 75 | 1000 | 1ft A.F.F. |
| R-32 | RTFT-LITE-32 | 350 | 1000 | 1ft A.F.F. |
| R-404a | RTFT-LITE-404A | 175 | 1000 | 1ft A.F.F. |
| R-407a | RTFT-PRO-407A | 75 | 1000 | 1ft A.F.F. |
| R-407c | RTFT-LITE-407C | 175 | 1000 | 1ft A.F.F. |
| R-407f | RTFT-PRO-407F | 75 | 1000 | 1ft A.F.F. |
| R-410a | RTFT-LITE-410A | 350 | 1000 | 1ft A.F.F. |
| R-417a | RTFT-PRO-417A | 75 | 1000 | 1ft A.F.F. |
| R-422a | RTFT-PRO-422A | 75 | 1000 | 1ft A.F.F. |
| R-422d | RTFT-PRO-422D | 75 | 1000 | 1ft A.F.F. |
| R-424a | RTFT-PRO-424A | 75 | 990 | 1ft A.F.F. |

| GAS | Model# | Pre Alarm (PPM) | High Alarm (PPM) | Mounting Height |
|--------|----------------|-----------------|------------------|-----------------|
| R-427a | RTFT-PRO-427A | 75 | 1000 | 1ft A.F.F. |
| R-434a | RTFT-PRO-434A | 75 | 1000 | 1ft A.F.F. |
| R-438a | RTFT-PRO-438A | 75 | 990 | 1ft A.F.F. |
| R-442a | RTFT-PRO-442A | 75 | 1000 | 1ft A.F.F. |
| R-448a | RTFT-PRO-448A | 75 | 860 | 1ft A.F.F. |
| R-449a | RTFT-LITE-449A | 175 | 800 | 1ft A.F.F. |
| R-450a | RTFT-PRO-450A | 75 | 880 | 1ft A.F.F. |
| R-452a | RTFT-PRO-452A | 75 | 790 | 1ft A.F.F. |
| R-452b | RTFT-PRO-452B | 75 | 870 | 1ft A.F.F. |
| R-453a | RTFT-PRO-453B | 75 | 1000 | 1ft A.F.F. |
| R-454a | RTFT-PRO-454A | 75 | 690 | 1ft A.F.F. |
| R-454b | RTFT-PRO-454B | 75 | 850 | 1ft A.F.F. |
| R-454c | RTFT-PRO-454C | 75 | 620 | 1ft A.F.F. |
| R-455a | RTFT-PRO-455A | 75 | 650 | 1ft A.F.F. |
| R-507 | RTFT-PRO-507 | 75 | 1000 | 1ft A.F.F. |
| R-513a | RTFT-PRO-513A | 75 | 650 | 1ft A.F.F. |
| R-514a | RTFT-PRO-514A | 75 | 320 | 1ft A.F.F. |
| R-515a | RTFT-PRO-515A | 75 | 810 | 1ft A.F.F. |
| R-515b | RTFT-PRO-515B | 75 | 810 | 1ft A.F.F. |

Technical Specification

| General | |
|---|---|
| Model: | CGSRTFT |
| Target Gases: | See table above |
| Size: (H x W x D) | 5.95 x 4.37 x 1.97" (151 x 111 x 50mm) |
| Housing Material: | ABS Polylac - PA765 |
| Mounting: | 1FT A.F.F. - Indoor Use - Wall Mounted |
| Weight: | Max. 1.77oz (0.05kg) |
| User Interface | |
| Display: | 1.8" TFT |
| Screen Brightness: | Non-Adjustable |
| Visual Indicators: | TFT visual. Green: Normal; Yellow: Pre-Alarm; Red: Alarm |
| Audible Alarm: | >95dB @ 3.28ft (1m) |
| Buttons: | None |
| Language: | English |
| Power Supply | |
| Power Consumption: | 90mA Max @ 24vdc |
| DC Power: | 12-32 VDC - Nominal 24 VDC |
| Internal Fuse: | None |
| Equipment | |
| Overvoltage Category: | III |
| Pollution Degree: | 3 |
| I/O | |
| Relay: | Volt Free (Normally Closed / Common / Normally Open) 1x 30vdc 2A (Non-Latching) |
| Environmental | |
| Operating: | -10 ~ 50°C / 14 ~ 122°F 30 ~ 80% RH (non-condensing) |
| Storage: | -25 ~ 50°C / -13~122F° up to 95% RH (non-condensing) |
| Atmospheric Pressure: | 70-110kPa |
| Altitude Rating: | <9500ft |
| Wiring | |
| Typical | #18-24AWG Power Pair; #18-24AWG Data Pair-Tinned copper. |
| Approvals | |
| Electromagnetic Compatibility and Electrical Safety | BS/IEC/EN 61010-1 EMC EN |
| Other | |
| Communication | RS485 MODBUS RTU |



Find out more
Canadian Gas Safety Inc
www.canadiangassafety.com

Head office: 150 King Street West Suite 200,
Toronto, ON M5H 1J9
Tel: (647) 577-1500
Email: info@canadiangassafety.com

